

RADIATORI PER VEICOLI AGRICOLI E DA COSTRUZIONE
AGRICULTURE AND CONSTRUCTION VEHICLE RADIATORS
RADIATEURS POUR MACHINES DE CHANTIER ET AGRICOLES
BAUFAHRZEUGE UND LANDMASCHINEN KUEHLER
RADIADORES PARA MÁQUINAS DE MOVIMIENTO DE TIERRAS Y AGRÍCOLAS

2 - 2022



HEAT EXCHANGE SOLUTIONS



Heat exchange solutions

COMPETENCE

COG è un'azienda leader nella produzione di **radiatori acqua, radiatori olio e intercooler** per macchine e veicoli industriali, macchine movimento terra, trattori, carrelli elevatori e circuiti oleodinamici, con costruzione sia in Rame che in Alluminio.

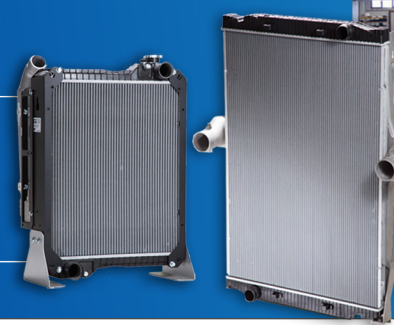
Fondata nel 1990 da Giacinto Colucci, da subito l'azienda ha saputo imporsi sul mercato con un prodotto altamente affidabile, in continua evoluzione, atto a rispondere prontamente alle esigenze del cliente.

Da più di vent'anni COG lavora a tutti i livelli, dal marketing alle vendite, dalla progettazione alla produzione e il controllo qualità, per migliorare il prodotto e renderlo sempre più competitivo, in un costante perfezionamento dell'esistente e in una continua ricerca del nuovo.



MAXIMUM FINANCIAL RELIABILITY

KNOW-HOW



GB COG is a leading manufacturer of **water radiators, oil coolers and intercoolers** for industrial machinery and vehicles, construction equipment, tractors, forklifts and hydraulic circuits, made out of both copper and aluminum. Founded in 1990 by Giacinto Colucci, the company got into the market from the beginning with a highly reliable, always evolving product able to satisfy the customer needs. For over twenty years, COG worked at all levels, from marketing to sales, from design to production and quality control to improve its product and make it more competitive with the objective of a constant improvement of the existing products and an ongoing research of new ones.

D COG ist ein führender Hersteller von **Wasserkühler, Ölkühler und Ladeluftkühler** für industrielle Maschinen und Fahrzeugen, Baumaschinen, Traktoren, Gabelstapler und hydraulische Schaltungen, aus Kupfer und Aluminium. In 1990 von Giacinto Colucci gegründet, hat das Unternehmen sich von Anfang auf dem Markt etabliert mit einer besonders zuverlässigen, immer weiterentwickelt Produkt in der Lage, schnell den Anforderungen der Kunden zu entsprechen. Seit über zwanzig Jahren, arbeitete COG auf allen Ebenen, vom Marketing bis zum Vertrieb, vom Design bis zur Produktion und Qualitätskontrolle, um seine Produkte zu verbessern und sie wettbewerbsfähiger zu machen mit dem Ziel der bestehenden Produkte ständig zu verbessern und die neuen Produkten laufend zu forschen.

F COG est un des producteurs les plus importants de **radiateurs d'eau, d'huile et de RAS (intercooler)** pour machines et véhicules industriels, engins de chantier, tracteurs, chariots élévateurs et circuits hydrauliques en cuivre et en aluminium. Fondée en 1990 par Giacinto Colucci, la société s'est imposée dès le début sur le marché avec un produit très fiable en constante évolution capable de répondre rapidement aux besoins des clients. Depuis plus de vingt ans, COG a travaillé à tous les niveaux, du marketing aux ventes, de la conception à la production et à son contrôle de qualité afin d'améliorer ses produits et de les rendre plus compétitifs avec l'objectif d'une amélioration constante des produits existants et d'une recherche permanente de nouveaux produits.

E COG es una de las empresas mas importantes en la fabricación de **radiadores de agua, de aceite y intercoolers** para maquinarias y vehículos industriales, equipos de construcción, tractores, carretillas elevadoras y circuitos hidráulicos de cobre y aluminio. Fundada en 1990 por Giacinto Colucci, la compañía se ha establecido desde el principio en el mercado con un producto altamente fiable en constante evolución capaz de satisfacer rápidamente las necesidades del cliente. Por más de veinte años, COG ha trabajado en todos los niveles, desde el marketing a las ventas, desde el diseño hasta la producción y el control de calidad para mejorar sus productos y hacerlos más competitivos con el objetivo de una mejora constante de los productos existentes y de la investigación continua de nuevos productos.

RADIATORI PER VEICOLI AGRICOLI E DA COSTRUZIONE

AGRICULTURE AND CONSTRUCTION RADIATORS
RADIADORES PARA AGRÍCULTURA Y CONSTRUCCIÓN
RADIATEURS POUR MACHINES DE CHANTIER ET
AGRICOLLES
BAUFAHRZEUGE UND LANDMASCHINEN KUEHLER

TRACTOR RADIATORS



INDICE DEI PRODOTTI / PRODUCT INDEX

pg. 4

CATALOGO / CATALOGUE

pg. 10

CONDITIONS OF SALE



CONDIZIONI DI VENDITA E GARANZIA

pg. 51

CONDITIONS OF SALE AND WARRANTY

TRACTOR RADIATORS



CASE IH

| MODELLO MODEL | COD. COG COG REF. | COD. OE OE REF. | DIM. MASSA CORE DIM. | NOTE NOTES |
|--|----------------------|--|-------------------------|---------------|
| MXM155, MXM140 | C4302N | 82033791 - 87352191 | 595*540*108 | |
| CVX / CVT 120 / 130 / 150 / 170 | C4303N | 162000530101 - 162000530131 | 635*560*108 | |
| 580L , 570LXT, 570MXT, 580 SUPER L, 580L, 580M, 580SL, 580SM, 590 SUPER L, 584E, 585E, 585G, 586E, 586G, 588G, 590SL, 590SM, 4391, 4391T, 4391TA, P85, PX110, S110, SE110, S70, SE70, S85, SE85, P70, P110, PX70, PX85, U80 | C4304 | 234876A - 234876A1 - 234876A2 - 234882A1 - 239739A1 - 239739A2 - NP11940162C | 470*520*108 | |
| 580L , 570LXT, 570MXT, 580 SUPER L, 580L, 580M, 580SL, 580SM, 590 SUPER L, 584E, 585E, 585G, 586E, 586G, 588G, 590SL, 590SM, 4391, 4391T, 4391TA, P85, PX110, S110, SE110, S70, SE70, S85, SE85, P70, P110, PX70, PX85, U80 | C4304N | 234876A - 234876A1 - 234876A2 - 234882A1 - 239739A1 - 239739A2 - NP11940162C | 470*520*108 | |
| MX135, Backhoe Loader 580M/590SM | C4308 | MN222000-19912N - MN422000-81812N - 84488910 - 87544110 | 570*560*108 | |
| MX135, Backhoe Loader 580M/590SM | C4308N | MN222000-19912N - MN422000-81812N - 84488910 - 87544110 | 570*560*108 | |
| MX100, MX110, MX120, MX135, MX150 | C4309 | 135691A3 - 244295A1 - 135690A3 - 70121101D - 120004111 | 570*560*108 | |
| MX100, MX110, MX120, MX135, MX150 | C4309N | 135691A3 - 244295A1 - 135690A3 - 70121101D - 120004111 | 570*560*108 | |
| 570LXT, 570MXT, 580, 580 SUPER L/SL/M/SM, 584E, 585E, 585G, 588G | C4315N | MNY70276401A0B -30-925606 | 635*560*108 | |
| 570LXT, 570MXT, 580, 580 SUPER L/SL/M/SM, 584E, 585E, 585G, 588G | C4316N | MNY70276401A0B -30-925606 | 635*560*108 | |
| TRACTOR | C4321 | 30/925884 - 30/925627 - 12/813407 | 470*630*108 | |
| TRACTOR | C4321N | 30/925884 - 30/925627 - 12/813407 | 470*630*108 | |
| CX90, CX100, MX80C, MX90C | C4325 | 222890A5N - 239979A3 - 239979A2 - 303496A2 - MNY70250001E1M - 303496A4 | 540*450*108 | |
| CX90, CX100, MX80C, MX90C | C4325N | 222890A5N - 239979A3 - 239979A2 - 303496A2 - MNY70250001E1M - 303496A4 | 540*450*108 | |
| TRACTOR MX100, MX110, MX120, MX135 | C4326N | 135690A3 - 135691A3 - 244295A1 | 570*560*108 | |
| TRACTOR MX100, MX110, MX120, MX135 | C4328N | 135690A3 - 135691A3 - 244295A1 | 570*560*108 | |
| 414, 416, 426, 436, MX180, MX200, MX220, MX240, MX270 | C4431N | 256325A1 - CTA80796 - CTA8079 - 211095 | 725*518*108 | |
| TRACTOR CVX, CVT120, CVT130, CVT150, CVT170 | C4432N | 20263501C - MN4221341132 - 47107872 - 162000530101 - 47107890 | 635*518*108 | |
| TG255 | C4433N | 256326A1 - 251501A3C - IH256326 | 725*518*108 | |

CATERPILLAR

| MODELLO MODEL | COD. COG COG REF. | COD. OE OE REF. | DIM. MASSA CORE DIM. | NOTE NOTES |
|---|----------------------|---|-------------------------|---------------|
| 4228 BACKHOE | C4303N | 47107872 - 20263501C | 635*560*108 | |
| 438C | C4308 | 245986 - MNY20229401A - 7E4639 - R4639P - 7E4633 - 7E4632 | 570*560*108 | |
| 438C | C4308N | 245986 - MNY20229401A - 7E4639 - R4639P - 7E4633 - 7E4632 | 570*560*108 | |
| BACKHOE LOADER | C4323N | | 505*630*108 | |
| EXTEC CRUSHING PLANT C10 | C4331N | 450112 - MN22200016110P | 800*448*108 | |
| GENERATOR XQP100, DE88E0, DE110E3, D80, D100 Engine C4.4 | C4333 | 45-0128 - MN42213287003 - MN4221329851 - M0031227AC -2485B285 - 2485B264 FOR "1006 SERIES ENGINE" | 570*450*108 | |

| | | | |
|---|---------------|---|-------------|
| GENERATOR XQP100, DE88E0, DE110E3, D80, D100 Engine C4.4 | C4333N | 45-0128 - MN42213287003 - MN4221329851 - M0031227AC -2485B285 - 2485B264 FOR "1006 SERIES ENGINE" | 570*450*108 |
| GENERATOR UNIVERSAL | C4334 | MN42233-2290 - 450639 - 450639AT - 450639ST - 2485B276 - MN42200070700P - MN42200078700P | 490*435*108 |
| GENERATOR UNIVERSAL | C4334N | MN42233-2290 - 450639 - 450639AT - 450639ST - 2485B276 - MN42200070700P - MN42200078700P | 490*435*108 |
| BACKHOE LOADER 416E, 422E, 428E, 430E, 432E, 434E, 444E | C4430N | 3047851 | 635*450*108 |

FG WILSON

| MODELLO | COD. COG | COD. OE | DIM. MASSA | NOTE |
|----------------------|-----------------|-------------------------------|-------------------|--------------|
| MODEL | COG REF. | OE REF. | CORE DIM. | NOTES |
| GENERATOR 275H-2 KVA | C4336N | MN422135-0990 - MN422134-8100 | 890*550*108 | |

GOLDONI

| MODELLO | COD. COG | COD. OE | DIM. MASSA | NOTE |
|-------------------------|-----------------|----------------|-------------------|--------------|
| MODEL | COG REF. | OE REF. | CORE DIM. | NOTES |
| EURO-SINCRO | C4348 | 25068 | 360*368*52 | |
| STAR 75 | C4349 | 31214 | 365*430*73 | |
| MAXTER/TRANSCAR | C4353 | 38770 | 390*370*73 | |
| QUASAR | C4354 | 40165 | 430*365*73 | |
| IDEA 26-30-40 | C4355 | 35927 | 368*360*52 | |
| VIGNERON 3 CIL | C4356 | 299070 | 365*430*73 | |
| VIGNERON 3 CIL | C4357 | 39124 | 365*430*91 | |
| 3050/3070 | C4358 | 26252 | 430*365*73 | |
| MAXTER | C4360 | 32830 | 390*370*73 | |
| 3050/3070 | C4361 | 38921 | 430*365*73 | |
| GOLDONI RAD. | C4363 | 43459 | 435*365*77 | |
| J.D. 3179 | C4365 | 21171 | 430*365*73 | |
| MAXTER | C4366 | 41374 | 390*370*55 | |
| MAXTER | C4368 | 41373 | 390*370*73 | |
| RADIATORE STAR | C4370 | 41283 | 401*369*111 | |
| RAD. VM D704 LT | C4371 | 41501 | 430*365*91 | |
| 3070 | C4372 | 42543 | 430*365*73 | |
| TRANSCAR | C4373 | 42668 | 390*370*57 | |
| VIGNERON 5 ROWS | C4374 | 43333 | 410*399*97 | |
| GOLDONI RAD. 5 ROWS | C4375 | 43644 | 410*377*97 | |
| GOLDONI RAD. 5 ROWS | C4376 | 44944 | 410*399*97 | |
| VM D704 LT | C4377 | 41012 | 430*365*91 | |
| J.D. 3029 | C4378 | 41013 | 430*365*91 | |
| WATERCOOLER | C4379 | 40540 | 390*370*73 | |
| ASTER | C4380 | 41582 | 377*353*52 | |
| J.D. 4045 | C4381 | 42835 | 435*435*77 | |
| GOLDONI RAD. MOT. VM | C4382 | 25540 | 430*365*73 | |
| GOLDONI RAD. 5 ROWS | C4384 | 46617 | 410*377*97 | |
| GOLDONI RAD. 5 ROWS | C4385 | 46044 | 435*435*97 | |
| VIGNERON | C4386 | 62443 | 408*395*108 | |
| GOLDONI RADIATORE ACQUA | C4387 | 62556 | 408*395*108 | |
| GOLDONI RAD. 4 ROWS | C4388 | 62767 | 408*395*108 | |

JCB

| MODELLO | COD. COG | COD. OE | DIM. MASSA | NOTE |
|----------------|-----------------|----------------|-------------------|--------------|
| MODEL | COG REF. | OE REF. | CORE DIM. | NOTES |
| FASTRAC 3220 | C4303N | MN422134/1132 | 635*560*108 | |

| | | | | |
|---|---------------|--|-------------|-------------------------------|
| TRACTOR | C4304 | 234876A - 234876A1 - 234876A2 - 234882A1 - 239739A1 - 239739A2 - NP11940162C | 470*520*108 | |
| TRACTOR | C4304N | 234876A - 234876A1 - 234876A2 - 234882A1 - 239739A1 - 239739A2 - NP11940162C | 470*520*108 | |
| LOADALL 526/531/536/541 | C4307 | 332/C5000 - 450344 | 635*520*108 | |
| LOADALL 526/531/536/541 | C4307N | 332/C5000 - 450344 | 635*520*108 | |
| TRACTOR | C4308 | MN222000-19912N - MN422000-81812N - 84488910 - 87544110 | 570*560*108 | |
| TRACTOR | C4308N | MN222000-19912N - MN422000-81812N - 84488910 - 87544110 | 570*560*108 | |
| LOADALL 530/540 | C4310N | | 570*560*108 | |
| FASTRAC | C4311N | 30-925453 | 570*560*108 | Low connection on the back |
| FASTRAC 3000 SERIES | C4312N | 30-925452 | 570*560*108 | |
| LOADALL 530/540 | C4313 | 30-925545 | 570*560*108 | |
| LOADALL 530/540 | C4313N | 30-925545 | 570*560*108 | |
| FASTRAC 3170/3190/3220 | C4315N | MNY70276401A0B -30-925606 | 635*560*108 | |
| FASTRAC 3170/3190/3220 | C4316N | MNY70276401A0B -30-925606 | 635*560*108 | Low connection on the back |
| DUMP TRUCK 714-T2/718-T2 | C4317N | MN422133 - 02010B - 30925728 - MN422133020103 | 635*560*108 | |
| BACKHOE LOADER 4CX/3CX, BACKHOE LOADER 2CX/3CX/4CX | C4321 | 30/925884 - 30/925627 - 12/813407 | 470*630*108 | |
| BACKHOE LOADER 4CX/3CX, BACKHOE LOADER 2CX/3CX/4CX | C4321N | 30/925884 - 30/925627 - 12/813407 | 470*630*108 | |
| BACKHOE LOADER 3CX SITE MASTER, 4CX SITE MASTER, TM270, TM270LE, 214-4, 214E, 4CX 444 | C4322 | 30-915200 - 30-915300 - 30-926286 - 30- 926671 - M003107AC | 505*630*108 | |
| BACKHOE LOADER 3CX SITE MASTER, 4CX SITE MASTER, TM270, TM270LE, 214-4, 214E, 4CX 444 | C4322N | 30-915200 - 30-915300 - 30-926286 - 30- 926671 - M003107AC | 505*630*108 | |
| LOADALL 526, 531, 536, 541, 533-105, 536-60, 531-70, 550-140, 540-170, 535- 95CE | C4329 | 333D3648 | 670*518*88 | |
| LOADALL 526, 531, 536, 541, 533-105, 536-60, 531-70, 550-140, 540-170, 535- 95CE | C4329N | 333D3648 | 670*518*88 | |
| LOADALL 526, 531, 536, 541 | C4330N | 332/C5000 | 635*518*108 | |
| SCREENING PLANT, GENERATOR DIESELMAX TC63/TC68 4/4400 | C4334N | MN42233-2290 - 450639 - 450639AT - 450639ST - 2485B276 - MN42200070700P - MN42200078700P | 490*435*108 | |
| 3CX-4CX SITE MASTER/TM270-LE | C4347N | 332-C8935 | 505*630*108 | |
| FASTRACK | C4430N | 3047851 | 635*450*108 | |
| BACKHOE LOADER 4CX/3CX, BACKHOE LOADER 2CX/3CX/4CX | C4437N | 30/926051 | 470*630*108 | |

LANDINI

| MODELLO MODEL | COD. COG COG REF. | COD. OE OE REF. | DIM. MASSA CORE DIM. | NOTE NOTES |
|--|------------------------------------|---|---------------------------------------|-----------------------------|
| Powerfarm (RS22) | C4301 | 3694388M91 | 490*450*108 | |
| Powerfarm (RS22) | C4301N | 3694388M92 | 490*450*108 | |
| LANDPOWER SMALL - POWER 6 | C4305 | 3693586M93 | 595*520*108 | |
| LANDPOWER SMALL - POWER 6 | C4305N | 3693586M93 | 595*520*108 | |
| POWERMONDIAL RP64 | C4306 | 366507A4 | 540*520*108 | |
| POWERMONDIAL RP64 | C4306N | 366507A4 | 540*520*108 | |
| LANDPOWER LARGE (RP74-RP91) | C4314N | 4215382M91 - 4215659M91 - 3691294M94 . MN422000-81812N - MN222000-19912N - 84488910 - 135691A3 - 30-925453 - 3691294M95 - MNY70125801B1B | 570*560*108 | |
| POWERMASTER (RP90), POWERFARM 80/95/105 | C4318N | 3694388M91 - 3678079M95 | 635*560*108 | |
| RADIATOR | C4325 | 222890A5N - 239979A3 - 239979A2 - 303496A2 - MNY70250001E1M - 303496A4 | 540*450*108 | |

| | | | |
|----------------------------|---------------|---|-------------|
| RADIATOR | C4325N | 222890A5N - 239979A3 - 239979A2 - 303496A2 - MNY70250001E1M - 303496A4 | 540*450*108 |
| MISTRAL | C4397 | 3688470M92 | 345*370*70 |
| RAD. ALPINE | C4400 | 3674749M93 | 483*430*91 |
| WATERCOOLER 5 ROWS | C4401 | 4205128M92 | 438*410*91 |
| | C4403 | 3674548M91 | 420*360*73 |
| LEGEND | C4404 | 3679155M92 | 620*570*109 |
| WATERCOOLER 6 ROWS | C4405 | 3663944M93 | 620*570*109 |
| LEGEND 5 ROWS | C4406 | 3679167M92 | 620*570*91 |
| RAD. BLIZZAR | C4407 | 3304168M92 | 580*540*73 |
| WATERCOOLER 4 ROWS | C4408 | 3304174M92 | 587*540*73 |
| RS12 MISTRAL | C4409 | 4214732M91 | 328*373*77 |
| WATERCOOLER 5 ROWS | C4410 | 3694649M92 | 637*528*97 |
| WATERCOOLER 4 ROWS | C4411 | 3534145M91 | 550*540*73 |
| WATERCOOLER 5 ROWS | C4412 | 3650779M91 | 550*540*91 |
| ARGO TRACTOR - DENSO MODEL | C4416 | 432979A1 - 432979A2 - MNY20269801A1M | 570*558*108 |
| ARGO TRACTOR - DENSO MODEL | C4416N | 432979A1 - 432979A2 - MNY20269801A1M | 570*558*108 |
| ARGO TRACTOR - DENSO MODEL | C4417 | 715573A1 - MN422133 99 | 630*558*108 |
| ARGO TRACTOR - DENSO MODEL | C4417N | 715573A1 - MN422133 99 | 630*558*108 |
| ARGO TRACTOR - DENSO MODEL | C4418 | 711157A3 - MN422133-49521M - 711157A3 | 570*558*108 |
| ARGO TRACTOR - DENSO MODEL | C4418N | 711157A3 - MN422133-49521M - 711157A3 | 570*558*108 |
| ARGO TRACTOR - DENSO MODEL | C4419 | 303495A4 - 303495A5 - 70250201G | 490*438*108 |
| ARGO TRACTOR - DENSO MODEL | C4419N | 303495A4 - 303495A5 - 70250201G | 490*438*108 |
| ARGO TRACTOR - DENSO MODEL | C4421 | 135691A3 - 135691A4 - MNY70121101E1M | 570*558*108 |
| ARGO TRACTOR - DENSO MODEL | C4421N | 135691A3 - 135691A4 - MNY70121101E1M | 570*558*108 |
| ARGO TRACTOR - DENSO MODEL | C4424 | 432981A1 - 432981A2 - MNY70274101A1M | 570*558*108 |
| ARGO TRACTOR - DENSO MODEL | C4424N | 432981A1 - 432981A2 - MNY70274101A1M | 570*558*108 |
| ARGO TRACTOR - DENSO MODEL | C4425 | 451452277A1 - 452277A2 - 452277A3 - 452277A4 - 452277A5 - 452277A6 - MN422132-972 | 595*508*108 |
| ARGO TRACTOR - DENSO MODEL | C4425N | 451452277A1 - 452277A2 - 452277A3 - 452277A4 - 452277A5 - 452277A6 - MN422132-972 | 595*508*108 |
| ARGO TRACTOR - DENSO MODEL | C4429 | 713027A2 - 713027A3 - MN422133-1044 | 725*508*108 |
| ARGO TRACTOR - DENSO MODEL | C4429N | 713027A2 - 713027A3 - MN422133-1044 | 725*508*108 |
| ARGO TRACTOR - DENSO MODEL | C4434 | 3696115M92 - 6713284A1 | 490*438*108 |
| ARGO TRACTOR - DENSO MODEL | C4434N | 3696115M92 - 6713284A1 | 490*438*108 |

LOMBARDINI

| MODELLO | COD. COG | COD. OE | DIM. MASSA | NOTE |
|-----------------|-----------------|----------------|-------------------|--------------|
| MODEL | COG REF. | OE REF. | CORE DIM. | NOTES |
| RADIATORE ACQUA | C4389 | 73503610 | 369*450*57 | |
| RADIATORE ACQUA | C4390 | 73503600 | 369*388*57 | |
| RADIATORE ACQUA | C4391 | 73502610 | 388*369*57 | |
| RADIATORE ACQUA | C4392 | 73500930 | 369*388*57 | |
| RADIATORE ACQUA | C4393 | 73502980 | 472*439*77 | |
| RADIATORE ACQUA | C4394 | 73503560 | 372*439*77 | |
| RADIATORE ACQUA | C4395 | 73503570 | 372*449*57 | |
| RADIATORE ACQUA | C4396 | 73503670 | 372*449*57 | |
| RADIATORE ACQUA | C4399 | 73503640 | 388*369*57 | |

MASSEY FERGUSON

| MODELLO MODEL | COD. COG COG REF. | COD. OE OE REF. | DIM. MASSA CORE DIM. | NOTE NOTES |
|--------------------------------|------------------------------------|--|---------------------------------------|-----------------------------|
| TRACTOR | C4304 | 234876A - 234876A1 - 234876A2 - 234882A1 - 239739A1 - 239739A2 - NP11940162C | 470*520*108 | |
| TRACTOR | C4304N | 234876A - 234876A1 - 234876A2 - 234882A1 - 239739A1 - 239739A2 - NP11940162C | 470*520*108 | |
| 6265, 6270, 6280, 6290 | C4324N | 3808158M3 - 380815M2 - 3808159M3 - 3810188M92 | 550*560*108 | |
| TRACTOR | C4327N | - | 470*450*108 | |

Mc CORMICK

| MODELLO MODEL | COD. COG COG REF. | COD. OE OE REF. | DIM. MASSA CORE DIM. | NOTE NOTES |
|--------------------------------|------------------------------------|--|---------------------------------------|-----------------------------|
| TRACTOR | C4303N | 162000530101 - 162000530131 - 47107872 - 20263501C - MN422134/1132 | 635*560*108 | |
| TRACTOR | C4304 | 234876A - 234876A1 - 234876A2 - 234882A1 - 239739A1 - 239739A2 - NP11940162C | 470*520*108 | |
| TRACTOR | C4304N | 234876A - 234876A1 - 234876A2 - 234882A1 - 239739A1 - 239739A2 - NP11940162C | 470*520*108 | |
| MAGNUM MX220, 230, 240, 270 | C4433N | 256326A1 - 251501A3C - IH256326 | 725*518*108 | |

NEW HOLLAND

| MODELLO MODEL | COD. COG COG REF. | COD. OE OE REF. | DIM. MASSA CORE DIM. | NOTE NOTES |
|--------------------------------|------------------------------------|--|---------------------------------------|-----------------------------|
| B115, LB110, TB2801 | C4308 | MN222000-19912N - MN422000-81812N - 84488910 - 87544110 | 570*560*108 | |
| B115, LB110, TB2801 | C4308N | MN222000-19912N - MN422000-81812N - 84488910 - 87544110 | 570*560*108 | |
| WHEEL LOADER T4 | C4319N | 76084472 -347611A3 | 635*560*108 | |
| WHEEL LOADER T4 | C4320N | 84232364 | 725*560*108 | |
| MAGNUM MX220, 230, 240, 270 | C4433N | 256326A1 - 251501A3C - IH256326 | 725*518*108 | |

PERKINS

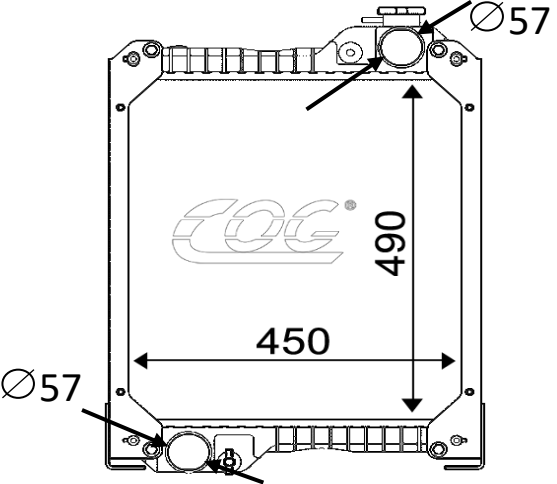
| MODELLO MODEL | COD. COG COG REF. | COD. OE OE REF. | DIM. MASSA CORE DIM. | NOTE NOTES |
|--|------------------------------------|---|---------------------------------------|-----------------------------|
| PRAMAC GENERATOR 1104D-E44TAG | C4332N | 450635 - 450635AT - 3081806 - 2485B297 - MN2220002700P - MN4221339810 | 690*438*108 | |
| GENERATOR/STATIONARY - PERKINS 60kW | C4333N | 45-0128 - MN42213287003 - MN4221329851 - M0031227AC -2485B285 - 2485B264 FOR "1006 SERIES ENGINE" | 570*450*108 | |
| GENERATOR 1100 SERIES, 1104A-44, 1104A-44T, 1104C-44, 1104C-E44, 1104D-44T | C4334N | MN42233-2290 - 450639 - 450639AT - 450639ST - 2485B276 - MN42200070700P - MN42200078700P | 490*435*108 | |
| | C4335N | MN122110-6940 | 570*560*108 | |
| GENERATOR 275KVA | C4336N | MN422135-0990 - MN422134-8100 | 890*550*108 | |

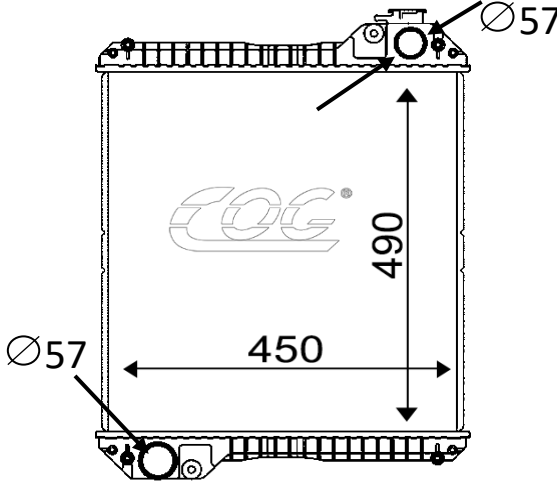
SANDVIK

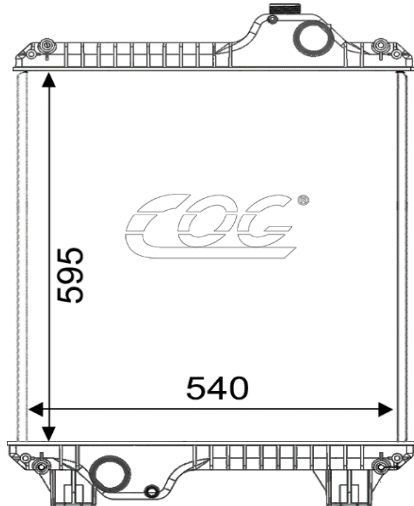
| MODELLO MODEL | COD. COG COG REF. | COD. OE OE REF. | DIM. MASSA CORE DIM. | NOTE NOTES |
|--------------------------------|------------------------------------|---|---------------------------------------|-----------------------------|
| SCREENER QE340 | C4333N | 45-0128 - MN42213287003 - 2485B285 - 2485B264 FOR "1006 SERIES ENGINE" | 570*450*108 | |

STEYR

| MODELLO MODEL | COD. COG COG REF. | COD. OE OE REF. | DIM. MASSA CORE DIM. | NOTE NOTES |
|--|------------------------------------|--|---------------------------------------|-----------------------------|
| TRACTOR CVX, CVT120, CVT130, CVT150, CVT170 | C4432N | 20263501C - MN4221341132 - 47107872 - 162000530101 - 47107890 | 635*518*108 | |

| | | | |
|---|--------------|-----------------------------------|---------------|
| COD. COG COG REF. | C4301 | Marca/Modello - Make/Model | |
|  | | LANDINI - POWERFARM (RS22) | |
| | | CODICE OE / OE REFERENCE | |
| | | 3694388M91 | |
| | | Dim. Massa / Core Dim. | 490*450*108 |
| | | Collettori / Header Plates | 460*125 |
| | | Sistema / System | DENSO MARSTON |

| | | | |
|--|---------------|-----------------------------------|---------------|
| COD. COG COG REF. | C4301N | Marca/Modello - Make/Model | |
|  | | LANDINI - POWERFARM (RS22) | |
| | | CODICE OE / OE REFERENCE | |
| | | 3694388M91 | |
| | | Dim. Massa / Core Dim. | 490*450*108 |
| | | Collettori / Header Plates | 460*125 |
| | | Sistema / System | DENSO MARSTON |

| | | | |
|---|---------------|-----------------------------------|---------------|
| COD. COG COG REF. | C4302N | Marca/Modello - Make/Model | |
|  | | CASE - MXM155, MXM140 | |
| | | CODICE OE / OE REFERENCE | |
| | | 82033791 - 87352191 | |
| | | Dim. Massa / Core Dim. | 595*540*108 |
| | | Collettori / Header Plates | 551*147 |
| | | Sistema / System | DENSO MARSTON |

| | | | |
|------------------------------------|---------------|---|---------------|
| COD. COG COG REF. | C4303N | Marca/Modello - Make/Model | |
| | | CASE - CVX / CVT 120 / 130 / 150 / 170 CATERPILLAR - 4228 BACKHOE JCB - FASTRAC 3220 McCORMICK | |
| | | CODICE OE / OE REFERENCE | |
| | | 162000530101 - 162000530131 - 47107872 - 20263501C - MN422134/1132 | |
| | | Dim. Massa / Core Dim. | 635*560*108 |
| | | Collettori / Header Plates | 574*125 |
| | | Sistema / System | DENSO MARSTON |

| | | | |
|------------------------------------|--------------|--|---------------|
| COD. COG COG REF. | C4304 | Marca/Modello - Make/Model | |
| | | CASE IH - 570MXT/LXT, 580M/SM/L/SL, 584E, 585E/G, 586E/G, 588G, 590SM/SL, 4391/T/TA, P70/85/110, PX70/85/110, S70/85/110, SE70/85/110 CATERPILLAR - JCB - McCORMICK | |
| | | CODICE OE / OE REFERENCE | |
| | | 234876A - 234876A1 - 234876A2 - 234882A1 - 239739A1 - 239739A2 - NP11940162C | |
| | | Dim. Massa / Core Dim. | 470*520*108 |
| | | Collettori / Header Plates | 530*125 |
| | | Sistema / System | DENSO MARSTON |

| | | | |
|------------------------------------|---------------|--|---------------|
| COD. COG COG REF. | C4304N | Marca/Modello - Make/Model | |
| | | CASE IH - 570MXT/LXT, 580M/SM/L/SL, 584E, 585E/G, 586E/G, 588G, 590SM/SL, 4391/T/TA, P70/85/110, PX70/85/110, S70/85/110, SE70/85/110 CATERPILLAR - JCB - McCORMICK | |
| | | CODICE OE / OE REFERENCE | |
| | | 234876A - 234876A1 - 234876A2 - 234882A1 - 239739A1 - 239739A2 - NP11940162C | |
| | | Dim. Massa / Core Dim. | 470*520*108 |
| | | Collettori / Header Plates | 530*125 |
| | | Sistema / System | DENSO MARSTON |

| | | | |
|------------------------------------|--------------|-------------------------------------|---------------|
| COD. COG COG REF. | C4305 | Marca/Modello - Make/Model | |
| | | LANDINI - LANDPOWER SMALL - POWER 6 | |
| | | CODICE OE / OE REFERENCE | |
| | | 3693586M93 | |
| | | Dim. Massa / Core Dim. | 595*520*108 |
| | | Collettori / Header Plates | 530*125 |
| | | Sistema / System | DENSO MARSTON |

| | | | |
|------------------------------------|---------------|-------------------------------------|---------------|
| COD. COG COG REF. | C4305N | Marca/Modello - Make/Model | |
| | | LANDINI - LANDPOWER SMALL - POWER 6 | |
| | | CODICE OE / OE REFERENCE | |
| | | 3693586M93 | |
| | | Dim. Massa / Core Dim. | 595*520*108 |
| | | Collettori / Header Plates | 530*125 |
| | | Sistema / System | DENSO MARSTON |

| | | | |
|------------------------------------|--------------|-----------------------------------|---------------|
| COD. COG COG REF. | C4306 | Marca/Modello - Make/Model | |
| | | LANDINI - POWERMONDIAL RP64 | |
| | | CODICE OE / OE REFERENCE | |
| | | 366507A4 | |
| | | Dim. Massa / Core Dim. | 540*520*108 |
| | | Collettori / Header Plates | 530*125 |
| | | Sistema / System | DENSO MARSTON |

| | | | |
|------------------------------------|---------------|-----------------------------------|---------------|
| COD. COG COG REF. | C4306N | Marca/Modello - Make/Model | |
| | | LANDINI - POWERMONDIAL RP64 | |
| | | CODICE OE / OE REFERENCE | |
| | | 366507A4 | |
| | | Dim. Massa / Core Dim. | 540*520*108 |
| | | Collettori / Header Plates | 530*125 |
| | | Sistema / System | DENSO MARSTON |

| | | | |
|------------------------------------|--------------|--|---------------|
| COD. COG COG REF. | C4307 | Marca/Modello - Make/Model | |
| | | JCB - LOADALL 526/531/536/541/533-105 / 536-60 / 531-70 / 550-140 / 540-170 | |
| | | CODICE OE / OE REFERENCE | |
| | | 332/C5000 - 450344 | |
| | | Dim. Massa / Core Dim. | 635*520*108 |
| | | Collettori / Header Plates | 530*125 |
| | | Sistema / System | DENSO MARSTON |

| | | | |
|------------------------------------|---------------|--|---------------|
| COD. COG COG REF. | C4307N | Marca/Modello - Make/Model | |
| | | JCB - LOADALL 526/531/536/541/533-105 / 536-60 / 531-70 / 550-140 / 540-170 | |
| | | CODICE OE / OE REFERENCE | |
| | | 332/C5000 - 450344 | |
| | | Dim. Massa / Core Dim. | 635*520*108 |
| | | Collettori / Header Plates | 530*125 |
| | | Sistema / System | DENSO MARSTON |

| | | | |
|------------------------------------|--------------|--|---------------|
| COD. COG COG REF. | C4308 | Marca/Modello - Make/Model | |
| | | CASE IH - MX135, BACKHOE LOADER 580M/590SM CATERPILLAR - 438C JCB NEW HOLLAND - B115/LB110/TB2801 | |
| | | CODICE OE / OE REFERENCE | |
| | | MN222000-19912N - MN422000-81812N - 84488910 - 87544110 | |
| | | Dim. Massa / Core Dim. | 570*560*108 |
| | | Collettori / Header Plates | 574*125 |
| | | Sistema / System | DENSO MARSTON |

| | | | |
|------------------------------------|---------------|--|---------------|
| COD. COG COG REF. | C4308N | Marca/Modello - Make/Model | |
| | | CASE IH - MX135, BACKHOE LOADER 580M/590SM CATERPILLAR - 438C JCB NEW HOLLAND - B115/LB110/TB2801 | |
| | | CODICE OE / OE REFERENCE | |
| | | MN222000-19912N - MN422000-81812N - 84488910 - 87544110 | |
| | | Dim. Massa / Core Dim. | 570*560*108 |
| | | Collettori / Header Plates | 574*125 |
| | | Sistema / System | DENSO MARSTON |

| | | | |
|------------------------------------|--------------|---|---------------|
| COD. COG COG REF. | C4309 | Marca/Modello - Make/Model | |
| | | CASE IH -MX100/MX110/MX120/MX135/MX150 CUMMINS - B6T-590 | |
| | | CODICE OE / OE REFERENCE | |
| | | 135691A3 - 244295A1 - 135690A3 - 70121101D - 120004111 | |
| | | Dim. Massa / Core Dim. | 570*560*108 |
| | | Collettori / Header Plates | 574*125 |
| | | Sistema / System | DENSO MARSTON |

| | | | |
|------------------------------------|---------------|---|---------------|
| COD. COG COG REF. | C4309N | Marca/Modello - Make/Model | |
| | | CASE IH -MX100/MX110/MX120/MX135/MX150 CUMMINS - B6T-590 | |
| | | CODICE OE / OE REFERENCE | |
| | | 135691A3 - 244295A1 - 135690A3 - 70121101D - 120004111 | |
| | | Dim. Massa / Core Dim. | 570*560*108 |
| | | Collettori / Header Plates | 574*125 |
| | | Sistema / System | DENSO MARSTON |

| | | | |
|------------------------------------|---------------|-----------------------------------|--|
| COD. COG COG REF. | C4310N | Marca/Modello - Make/Model | |
| | | JCB - LOADALL 5300/540 | |
| | | CODICE OE / OE REFERENCE | |
| | | - | |
| | | Dim. Massa / Core Dim. | |
| | | Collettori / Header Plates | |
| | | Sistema / System | |

| | | | |
|------------------------------------|---------------|-----------------------------------|---------------|
| COD. COG COG REF. | C4311N | Marca/Modello - Make/Model | |
| | | JCB - FASTRAC | |
| | | CODICE OE / OE REFERENCE | |
| | | 30-925453 | |
| | | Dim. Massa / Core Dim. | 570*560*108 |
| | | Collettori / Header Plates | 574*125 |
| | | Sistema / System | DENSO MARSTON |

| | | | |
|------------------------------------|---------------|-----------------------------------|---------------|
| COD. COG COG REF. | C4312N | Marca/Modello - Make/Model | |
| | | JCB - FASTRAC 3000 SERIES | |
| | | CODICE OE / OE REFERENCE | |
| | | 30-925452 | |
| | | Dim. Massa / Core Dim. | 570*560*108 |
| | | Collettori / Header Plates | 574*125 |
| | | Sistema / System | DENSO MARSTON |

| | | | |
|------------------------------------|--------------|-----------------------------------|---------------|
| COD. COG COG REF. | C4313 | Marca/Modello - Make/Model | |
| | | JCB - LOADALL 530/540 | |
| | | CODICE OE / OE REFERENCE | |
| | | 30-925545 | |
| | | Dim. Massa / Core Dim. | 570*560*108 |
| | | Collettori / Header Plates | 574*125 |
| | | Sistema / System | DENSO MARSTON |

| | | | |
|------------------------------------|---------------|-----------------------------------|---------------|
| COD. COG COG REF. | C4313N | Marca/Modello - Make/Model | |
| | | JCB - LOADALL 530/540 | |
| | | CODICE OE / OE REFERENCE | |
| | | 30-925545 | |
| | | Dim. Massa / Core Dim. | 570*560*108 |
| | | Collettori / Header Plates | 574*125 |
| | | Sistema / System | DENSO MARSTON |

| | | | |
|------------------------------------|---------------|---|---------------|
| COD. COG COG REF. | C4314N | Marca/Modello - Make/Model | |
| | | LANDINI - LANDPOWER LARGE (RP74-RP91) | |
| | | CODICE OE / OE REFERENCE | |
| | | 4215382M91 - 4215659M91 - 3691294M94 . MN422000-81812N - MN222000-19912N - 84488910 - 135691A3 - 30-925453 - 3691294M95 - MNY70125801B1B | |
| | | Dim. Massa / Core Dim. | 570*560*108 |
| | | Collettori / Header Plates | 574*125 |
| | | Sistema / System | DENSO MARSTON |

| | | | |
|------------------------------------|---------------|---|---------------|
| COD. COG COG REF. | C4315N | Marca/Modello - Make/Model | |
| | | CASE IH - 570MXT/LXT, 580, 580M/SM/L/SL, 584E, 585E, 585G, 588G JCB - FASTRAC 3170/3190/3220 | |
| | | CODICE OE / OE REFERENCE | |
| | | MNY70276401A0B - 30-925606 | |
| | | Dim. Massa / Core Dim. | 635*560*108 |
| | | Collettori / Header Plates | 574*125 |
| | | Sistema / System | DENSO MARSTON |

| | | | |
|------------------------------------|---------------|---|---------------|
| COD. COG COG REF. | C4316N | Marca/Modello - Make/Model | |
| | | CASE IH - 570MXT/LXT, 580, 580M/SM/L/SL, 584E, 585E, 585G, 588G JCB - FASTRAC 3170/3190/3220 | |
| | | CODICE OE / OE REFERENCE | |
| | | MNY70276401A0B - 30-925606 | |
| | | Dim. Massa / Core Dim. | 635*560*108 |
| | | Collettori / Header Plates | 574*125 |
| | | Sistema / System | DENSO MARSTON |

| | | | |
|------------------------------------|---------------|--|---------------|
| COD. COG COG REF. | C4317N | Marca/Modello - Make/Model | |
| | | JCB - DUMP TRUCK 714-T2/T18-T2 | |
| | | CODICE OE / OE REFERENCE | |
| | | MN422133 - 02010B - 30925728 - MN422133020103 | |
| | | Dim. Massa / Core Dim. | 635*560*108 |
| | | Collettori / Header Plates | 574*125 |
| | | Sistema / System | DENSO MARSTON |

| | | | |
|------------------------------------|---------------|--|---------------|
| COD. COG COG REF. | C4318N | Marca/Modello - Make/Model | |
| | | LANDINI - POWERMASTER (RP90), POWERFARM 80/95/105 | |
| | | CODICE OE / OE REFERENCE | |
| | | 3694388M91 - 3678079M95 | |
| | | Dim. Massa / Core Dim. | 635*560*108 |
| | | Collettori / Header Plates | 574*125 |
| | | Sistema / System | DENSO MARSTON |

| | | | |
|------------------------------------|---------------|-----------------------------------|---------------|
| COD. COG COG REF. | C4319N | Marca/Modello - Make/Model | |
| | | NEW HOLLAND - WHEEL LOADER T4 | |
| | | CODICE OE / OE REFERENCE | |
| | | 76084472 - 347611A3 | |
| | | Dim. Massa / Core Dim. | 635*560*108 |
| | | Collettori / Header Plates | 574*125 |
| | | Sistema / System | DENSO MARSTON |

| | | | |
|------------------------------------|---------------|--------------------------------------|---------------|
| COD. COG COG REF. | C4320N | Marca/Modello - Make/Model | |
| | | NEW HOLLAND - WHEEL LOADER T4 | |
| | | CODICE OE / OE REFERENCE | |
| | | 84232364 | |
| | | Dim. Massa / Core Dim. | 725*560*108 |
| | | Collettori / Header Plates | 574*125 |
| | | Sistema / System | DENSO MARSTON |

| | | | |
|------------------------------------|--------------|---|---------------|
| COD. COG COG REF. | C4321 | Marca/Modello - Make/Model | |
| | | JCB - BACKHOE LOADER 2CX/3CX/4CX CASE IH | |
| | | CODICE OE / OE REFERENCE | |
| | | 30/925884 - 30/925627 - 12/813407 | |
| | | Dim. Massa / Core Dim. | 470*630*108 |
| | | Collettori / Header Plates | 640*125 |
| | | Sistema / System | DENSO MARSTON |

| | | | |
|------------------------------------|---------------|---|---------------|
| COD. COG COG REF. | C4321N | Marca/Modello - Make/Model | |
| | | JCB - BACKHOE LOADER 2CX/3CX/4CX CASE IH | |
| | | CODICE OE / OE REFERENCE | |
| | | 30/925884 - 30/925627 - 12/813407 | |
| | | Dim. Massa / Core Dim. | 470*630*108 |
| | | Collettori / Header Plates | 640*125 |
| | | Sistema / System | DENSO MARSTON |

| | | | |
|------------------------------------|--------------|--|---------------|
| COD. COG COG REF. | C4322 | Marca/Modello - Make/Model | |
| | | JCB - BACKHOE LOADER 3CX SITE MASTER, 4CX SITE MASTER, TM270, TM270LE, 214-4, 214E, 4CX 444 | |
| | | CODICE OE / OE REFERENCE | |
| | | 30-915200 - 30-915300 - 30-926286 - 30-926671 - M003107AC | |
| | | Dim. Massa / Core Dim. | 505*630*108 |
| | | Collettori / Header Plates | 640*125 |
| | | Sistema / System | DENSO MARSTON |

| | | | |
|------------------------------------|---------------|--|---------------|
| COD. COG COG REF. | C4322N | Marca/Modello - Make/Model | |
| | | JCB - BACKHOE LOADER 3CX SITE MASTER, 4CX SITE MASTER, TM270, TM270LE, 214-4, 214E, 4CX 444 | |
| | | CODICE OE / OE REFERENCE | |
| | | 30-915200 - 30-915300 - 30-926286 - 30-926671 - M003107AC | |
| | | Dim. Massa / Core Dim. | 505*630*108 |
| | | Collettori / Header Plates | 640*125 |
| | | Sistema / System | DENSO MARSTON |

| | | | |
|------------------------------------|---------------|-------------------------------------|---------------|
| COD. COG COG REF. | C4323N | Marca/Modello - Make/Model | |
| | | CATERPILLAR - BACKHOE LOADER | |
| | | CODICE OE / OE REFERENCE | |
| | | - | |
| | | Dim. Massa / Core Dim. | 505*630*108 |
| | | Collettori / Header Plates | 640*125 |
| | | Sistema / System | DENSO MARSTON |

| | | | |
|------------------------------------|---------------|--|---------------|
| COD. COG COG REF. | C4324N | Marca/Modello - Make/Model | |
| | | MASSEY FERGUSON - 6265, 6270, 6280, 6290 | |
| | | CODICE OE / OE REFERENCE | |
| | | 3808158M3 - 380815M2 - 3808159M3 - 3810188M92 | |
| | | Dim. Massa / Core Dim. | 550*560*108 |
| | | Collettori / Header Plates | 574*125 |
| | | Sistema / System | DENSO MARSTON |

| | | | |
|------------------------------------|--------------|---|---------------|
| COD. COG COG REF. | C4325 | Marca/Modello - Make/Model | |
| | | CASE IH - CX90, CX100, MX80C, MX135 LANDINI - ARGO TRACTOR | |
| | | CODICE OE / OE REFERENCE | |
| | | 222890A5N - 239979A3 - 239979A2 - 303496A2 - MNY70250001E1M - 303496A4 | |
| | | Dim. Massa / Core Dim. | 540*450*108 |
| | | Collettori / Header Plates | 460*125 |
| | | Sistema / System | DENSO MARSTON |

| | | | |
|------------------------------------|---------------|---|---------------|
| COD. COG COG REF. | C4325N | Marca/Modello - Make/Model | |
| | | CASE IH - CX90, CX100, MX80C, MX135 LANDINI - ARGO TRACTOR | |
| | | CODICE OE / OE REFERENCE | |
| | | 222890A5N - 239979A3 - 239979A2 - 303496A2 - MNY70250001E1M - 303496A4 | |
| | | Dim. Massa / Core Dim. | 540*450*108 |
| | | Collettori / Header Plates | 460*125 |
| | | Sistema / System | DENSO MARSTON |

| | | | |
|------------------------------------|---------------|--------------------------------------|---------------|
| COD. COG COG REF. | C4326N | Marca/Modello - Make/Model | |
| | | CASE IH - MX100, MX110, MX120, MX135 | |
| | | CODICE OE / OE REFERENCE | |
| | | 135690A3 - 135691A3 - 244295A1 | |
| | | Dim. Massa / Core Dim. | 570*560*108 |
| | | Collettori / Header Plates | 574*125 |
| | | Sistema / System | DENSO MARSTON |

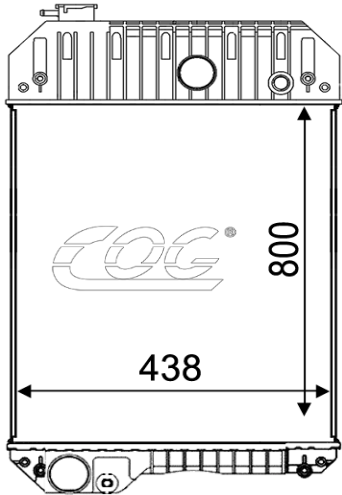
| | | | |
|------------------------------------|---------------|-----------------------------------|---------------|
| COD. COG COG REF. | C4327N | Marca/Modello - Make/Model | |
| | | MASSEY FERGUSON | |
| | | CODICE OE / OE REFERENCE | |
| | | | |
| | | Dim. Massa / Core Dim. | 470*450*108 |
| | | Collettori / Header Plates | 460*125 |
| | | Sistema / System | DENSO MARSTON |

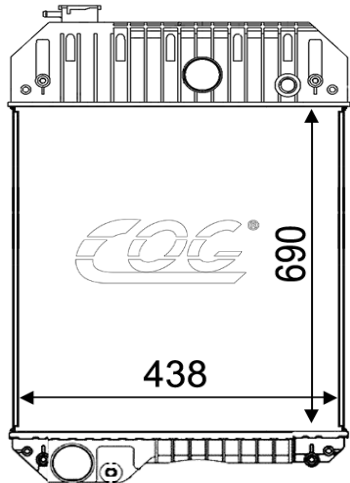
| | | | |
|------------------------------------|---------------|--------------------------------------|---------------|
| COD. COG COG REF. | C4328N | Marca/Modello - Make/Model | |
| | | CASE IH - MX100, MX110, MX120, MX135 | |
| | | CODICE OE / OE REFERENCE | |
| | | 135690A3 - 135691A3 - 244295A1 | |
| | | Dim. Massa / Core Dim. | 570*560*108 |
| | | Collettori / Header Plates | 574*125 |
| | | Sistema / System | DENSO MARSTON |

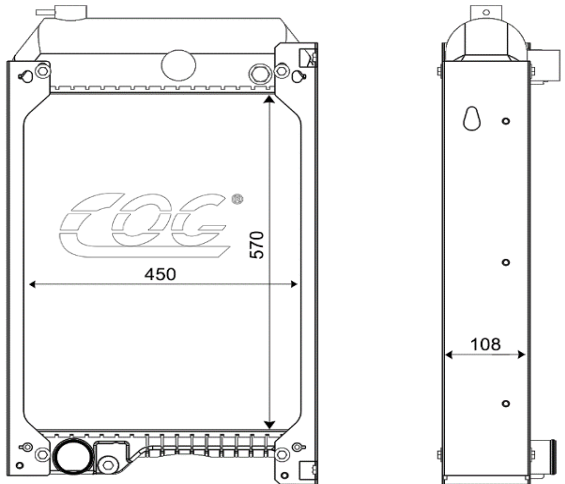
| | | | |
|------------------------------------|--------------|--|---------------|
| COD. COG COG REF. | C4329 | Marca/Modello - Make/Model | |
| | | JCB - LOADALL 526, 531, 536, 541, 533-105, 536-60. 531-70, 550-140, 540-170- 535-95CE | |
| | | CODICE OE / OE REFERENCE | |
| | | 333D3648 | |
| | | Dim. Massa / Core Dim. | 670*518*88 |
| | | Collettori / Header Plates | 530*125 |
| | | Sistema / System | DENSO MARSTON |

| | | | |
|------------------------------------|---------------|--|---------------|
| COD. COG COG REF. | C4329N | Marca/Modello - Make/Model | |
| | | JCB - LOADALL 526, 531, 536, 541, 533-105, 536-60. 531-70, 550-140, 540-170- 535-95CE | |
| | | CODICE OE / OE REFERENCE | |
| | | 333D3648 | |
| | | Dim. Massa / Core Dim. | 670*518*88 |
| | | Collettori / Header Plates | 530*125 |
| | | Sistema / System | DENSO MARSTON |

| | | | |
|------------------------------------|---------------|---|---------------|
| COD. COG COG REF. | C4330N | Marca/Modello - Make/Model | |
| | | JCB - LOADALL 526, 531, 536, 541 | |
| | | CODICE OE / OE REFERENCE | |
| | | 332/C5000 | |
| | | Dim. Massa / Core Dim. | 635*518*108 |
| | | Collettori / Header Plates | 530*125 |
| | | Sistema / System | DENSO MARSTON |

| | | | |
|---|---------------|---|---------------|
| COD. COG COG REF. | C4331N | Marca/Modello - Make/Model | |
|  | | CATERPILLAR - EXTEC CRUSHING PLANT C10 | |
| | | CODICE OE / OE REFERENCE | |
| | | 450112 - MN22200016110P | |
| | | Dim. Massa / Core Dim. | 800*448*108 |
| | | Collettori / Header Plates | 460*125 |
| | | Sistema / System | DENSO MARSTON |

| | | | |
|--|---------------|--|---------------|
| COD. COG COG REF. | C4332N | Marca/Modello - Make/Model | |
|  | | PERKINS - PRAMAC GENERATOR 1104D-E44TAG | |
| | | CODICE OE / OE REFERENCE | |
| | | 450635 - 450635AT - 3081806 - 2485B297 - MN2220002700P - MN4221339810 | |
| | | Dim. Massa / Core Dim. | 690*438*108 |
| | | Collettori / Header Plates | 460*125 |
| | | Sistema / System | DENSO MARSTON |

| | | | |
|---|--------------|---|---------------|
| COD. COG COG REF. | C4333 | Marca/Modello - Make/Model | |
|  | | CATERPILLAR - GENERATOR XQP1000, DE88E0, DE110E3, D80, D100 Engine c4.4 | |
| | | PERKINS - GENERATOR/STATIONARY | |
| | | SANDVIK - GENERATOR UNIVERSAL | |
| | | CODICE OE / OE REFERENCE | |
| | | 45-0128 - MN42213287003 - MN4221329851 - M0031227AC -2485B285 - 2485B264 FOR "1006 SERIES ENGINE" | |
| | | Dim. Massa / Core Dim. | 570*450*108 |
| | | Collettori / Header Plates | 460*125 |
| | | Sistema / System | DENSO MARSTON |

| | | | |
|------------------------------------|---------------|---|---------------|
| COD. COG COG REF. | C4333N | Marca/Modello - Make/Model | |
| | | CATERPILLAR - GENERATOR XQP1000, DE88E0, DE110E3, D80, D100 Engine c4.4 PERKINS - GENERATOR/STATIONARY SANDVIK - GENERATOR UNIVERSAL | |
| | | CODICE OE / OE REFERENCE | |
| | | 45-0128 - MN42213287003 - MN4221329851 - M0031227AC -2485B285 - 2485B264 FOR "1006 SERIES ENGINE" | |
| | | Dim. Massa / Core Dim. | 570*450*108 |
| | | Collettori / Header Plates | 460*125 |
| | | Sistema / System | DENSO MARSTON |

| | | | |
|------------------------------------|--------------|---|---------------|
| COD. COG COG REF. | C4334 | Marca/Modello - Make/Model | |
| | | CATERPILLAR - GENERATOR UNIVERSAL PERKINS - GEN. 1100 SERIES, 1104A-44, 1104-44T, 1104C-44, 1104C-E44, 1104D-44T JCB - SCREENING PLANT, GEN. DIESELMAX TC63/TC68 4/4400 | |
| | | CODICE OE / OE REFERENCE | |
| | | MN42233-2290 - 450639 - 450639AT - 450639ST - 2485B276 - MN42200070700P - MN42200078700P | |
| | | Dim. Massa / Core Dim. | 490*435*108 |
| | | Collettori / Header Plates | 460*125 |
| | | Sistema / System | DENSO MARSTON |

| | | | |
|------------------------------------|---------------|---|---------------|
| COD. COG COG REF. | C4334N | Marca/Modello - Make/Model | |
| | | CATERPILLAR - GENERATOR UNIVERSAL PERKINS - GEN. 1100 SERIES, 1104A-44, 1104-44T, 1104C-44, 1104C-E44, 1104D-44T JCB - SCREENING PLANT, GEN. DIESELMAX TC63/TC68 4/4400 | |
| | | CODICE OE / OE REFERENCE | |
| | | MN42233-2290 - 450639 - 450639AT - 450639ST - 2485B276 - MN42200070700P - MN42200078700P | |
| | | Dim. Massa / Core Dim. | 490*435*108 |
| | | Collettori / Header Plates | 460*125 |
| | | Sistema / System | DENSO MARSTON |

| | | | |
|------------------------------------|---------------|-----------------------------------|---------------|
| COD. COG COG REF. | C4335N | Marca/Modello - Make/Model | |
| | | PERKINS | |
| | | CODICE OE / OE REFERENCE | |
| | | MN122110-6940 | |
| | | Dim. Massa / Core Dim. | 570*560*108 |
| | | Collettori / Header Plates | 575*125 |
| | | Sistema / System | DENSO MARSTON |

| | | | |
|------------------------------------|---------------|--|---------------|
| COD. COG COG REF. | C4336N | Marca/Modello - Make/Model | |
| | | FG-WILSON - GENERATOR 275H-2 KVA PERKINS - GENERATOR 275KVA | |
| | | CODICE OE / OE REFERENCE | |
| | | MN422135-0990 - MN422134-8100 | |
| | | Dim. Massa / Core Dim. | 890*550*108 |
| | | Collettori / Header Plates | 575*125 |
| | | Sistema / System | DENSO MARSTON |

| | | | |
|------------------------------------|---------------|------------------------------------|---------------|
| COD. COG COG REF. | C4347N | Marca/Modello - Make/Model | |
| | | JCB - 3CX-4CX SITE MASTER/TM270-LE | |
| | | CODICE OE / OE REFERENCE | |
| | | 332-C8935 | |
| | | Dim. Massa / Core Dim. | 505*630*108 |
| | | Collettori / Header Plates | 640*125 |
| | | Sistema / System | DENSO MARSTON |

| | | | |
|------------------------------------|--------------|-----------------------------------|--------------|
| COD. COG COG REF. | C4348 | Marca/Modello - Make/Model | |
| | | GOLDONI - EURO-SINCRO | |
| | | CODICE OE / OE REFERENCE | |
| | | 25068 | |
| | | Dim. Massa / Core Dim. | 360*368*52 |
| | | Collettori / Header Plates | |
| | | Sistema / System | Copper/Brass |

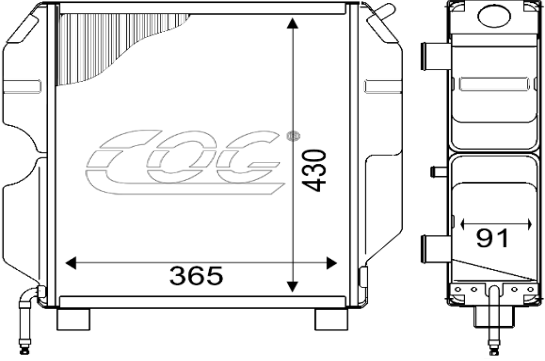
| | | | |
|------------------------------------|--------------|-----------------------------------|--------------|
| COD. COG COG REF. | C4349 | Marca/Modello - Make/Model | |
| | | GOLDONI - STAR 75 | |
| | | CODICE OE / OE REFERENCE | |
| | | 31214 | |
| | | Dim. Massa / Core Dim. | 365*430*73 |
| | | Collettori / Header Plates | |
| | | Sistema / System | Copper/Brass |

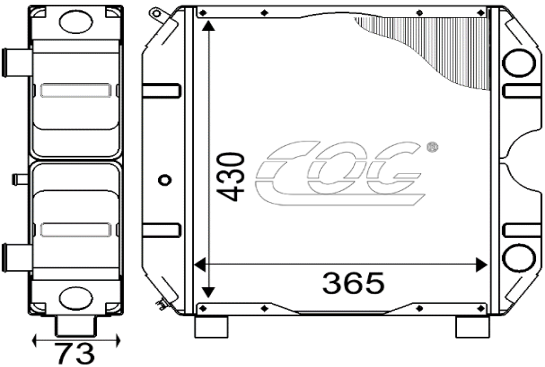
| | | | |
|------------------------------------|--------------|-----------------------------------|--------------|
| COD. COG COG REF. | C4353 | Marca/Modello - Make/Model | |
| | | GOLDONI - MAXTER/TRANSCAR | |
| | | CODICE OE / OE REFERENCE | |
| | | 38770 | |
| | | Dim. Massa / Core Dim. | 370*390*73 |
| | | Collettori / Header Plates | 397*96 |
| | | Sistema / System | Copper/Brass |

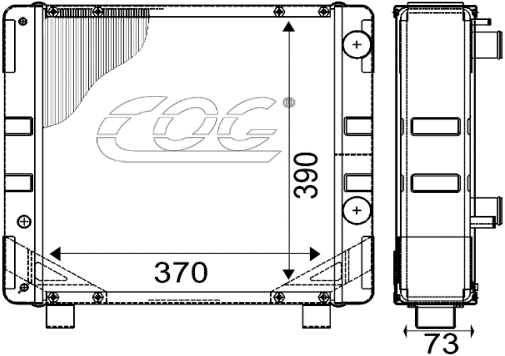
| | | | |
|------------------------------------|--------------|-----------------------------------|--------------|
| COD. COG COG REF. | C4354 | Marca/Modello - Make/Model | |
| | | GOLDONI - QUASAR | |
| | | CODICE OE / OE REFERENCE | |
| | | 40165 | |
| | | Dim. Massa / Core Dim. | 365*430*73 |
| | | Collettori / Header Plates | 437*113 |
| | | Sistema / System | Copper/Brass |

| | | | |
|------------------------------------|--------------|-----------------------------------|--------------|
| COD. COG COG REF. | C4355 | Marca/Modello - Make/Model | |
| | | GOLDONI - IDEA 26/30/40 | |
| | | CODICE OE / OE REFERENCE | |
| | | 35927 | |
| | | Dim. Massa / Core Dim. | 360*368*52 |
| | | Collettori / Header Plates | 401*72 |
| | | Sistema / System | Copper/Brass |

| | | | |
|------------------------------------|--------------|-----------------------------------|--------------|
| COD. COG COG REF. | C4356 | Marca/Modello - Make/Model | |
| | | GOLDONI - VIGNERON 3 CL | |
| | | CODICE OE / OE REFERENCE | |
| | | 29970 | |
| | | Dim. Massa / Core Dim. | 365*430*73 |
| | | Collettori / Header Plates | 437*113 |
| | | Sistema / System | Copper/Brass |

| | | | |
|---|--------------|-----------------------------------|--------------|
| COD. COG COG REF. | C4357 | Marca/Modello - Make/Model | |
|  | | GOLDONI - VIGNERON 3 CL | |
| | | CODICE OE / OE REFERENCE | |
| | | 39124 | |
| | | Dim. Massa / Core Dim. | 365*430*91 |
| | | Collettori / Header Plates | 437*113 |
| | | Sistema / System | Copper/Brass |

| | | | |
|--|--------------|-----------------------------------|--------------|
| COD. COG COG REF. | C4358 | Marca/Modello - Make/Model | |
|  | | GOLDONI - 3050/3070 | |
| | | CODICE OE / OE REFERENCE | |
| | | 26252 | |
| | | Dim. Massa / Core Dim. | 365*430*73 |
| | | Collettori / Header Plates | 437*113 |
| | | Sistema / System | Copper/Brass |

| | | | |
|---|--------------|-----------------------------------|--------------|
| COD. COG COG REF. | C4360 | Marca/Modello - Make/Model | |
|  | | GOLDONI - MAXTER | |
| | | CODICE OE / OE REFERENCE | |
| | | 32830 | |
| | | Dim. Massa / Core Dim. | 370*390*73 |
| | | Collettori / Header Plates | 397*96 |
| | | Sistema / System | Copper/Brass |

| | | | |
|------------------------------------|--------------|-----------------------------------|--------------|
| COD. COG COG REF. | C4361 | Marca/Modello - Make/Model | |
| | | GOLDONI - 3050/3070 | |
| | | CODICE OE / OE REFERENCE | |
| | | 38921 | |
| | | Dim. Massa / Core Dim. | 365*430*73 |
| | | Collettori / Header Plates | 437*113 |
| | | Sistema / System | Copper/Brass |

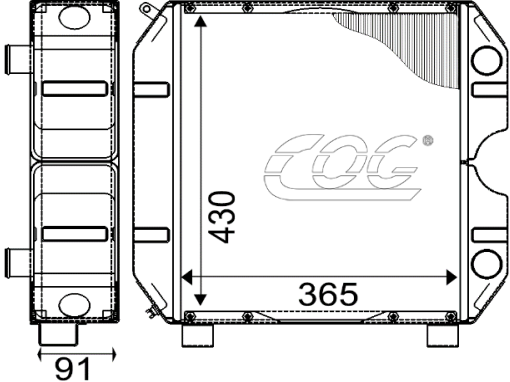
| | | | |
|------------------------------------|--------------|-----------------------------------|--------------|
| COD. COG COG REF. | C4363 | Marca/Modello - Make/Model | |
| | | GOLDONI - TRACTOR | |
| | | CODICE OE / OE REFERENCE | |
| | | 43459 | |
| | | Dim. Massa / Core Dim. | 365*430*77 |
| | | Collettori / Header Plates | 437*113 |
| | | Sistema / System | Copper/Brass |

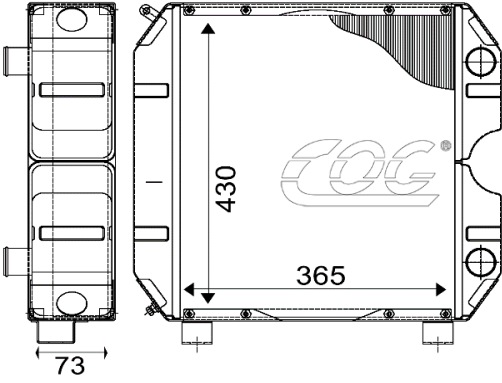
| | | | |
|------------------------------------|--------------|-----------------------------------|--------------|
| COD. COG COG REF. | C4365 | Marca/Modello - Make/Model | |
| | | GOLDONI - J.D. 3179 | |
| | | CODICE OE / OE REFERENCE | |
| | | 21171 | |
| | | Dim. Massa / Core Dim. | 365*430*73 |
| | | Collettori / Header Plates | 437*113 |
| | | Sistema / System | Copper/Brass |

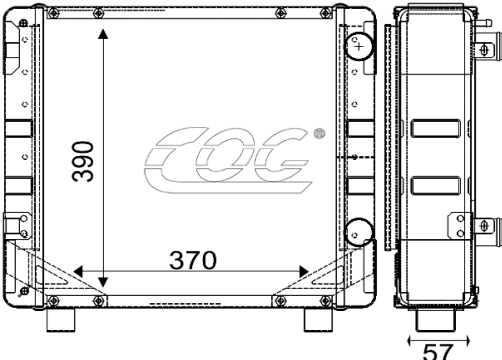
| | | | |
|------------------------------------|--------------|-----------------------------------|--------------|
| COD. COG COG REF. | C4366 | Marca/Modello - Make/Model | |
| | | GOLDONI - MAXTER | |
| | | CODICE OE / OE REFERENCE | |
| | | 41374 | |
| | | Dim. Massa / Core Dim. | 370*390*55 |
| | | Collettori / Header Plates | 397*96 |
| | | Sistema / System | Copper/Brass |

| | | | |
|------------------------------------|--------------|-----------------------------------|--------------|
| COD. COG COG REF. | C4368 | Marca/Modello - Make/Model | |
| | | GOLDONI - MAXTER | |
| | | CODICE OE / OE REFERENCE | |
| | | 41373 | |
| | | Dim. Massa / Core Dim. | 370*390*73 |
| | | Collettori / Header Plates | 397*96 |
| | | Sistema / System | Copper/Brass |

| | | | |
|------------------------------------|--------------|-----------------------------------|-------------|
| COD. COG COG REF. | C4370 | Marca/Modello - Make/Model | |
| | | GOLDONI - STAR | |
| | | CODICE OE / OE REFERENCE | |
| | | 41283 | |
| | | Dim. Massa / Core Dim. | 369*401*111 |
| | | Collettori / Header Plates | |
| | | Sistema / System | AL P&B |

| | | | |
|---|--------------|-----------------------------------|--------------|
| COD. COG COG REF. | C4371 | Marca/Modello - Make/Model | |
|  | | GOLDONI - VM D704 LT | |
| | | CODICE OE / OE REFERENCE | |
| | | 41501 | |
| | | Dim. Massa / Core Dim. | 365*430*91 |
| | | Collettori / Header Plates | 437*113 |
| | | Sistema / System | Copper/Brass |

| | | | |
|--|--------------|-----------------------------------|--------------|
| COD. COG COG REF. | C4372 | Marca/Modello - Make/Model | |
|  | | GOLDONI - 3070 | |
| | | CODICE OE / OE REFERENCE | |
| | | 42543 | |
| | | Dim. Massa / Core Dim. | 365*430*73 |
| | | Collettori / Header Plates | 437*113 |
| | | Sistema / System | Copper/Brass |

| | | | |
|---|--------------|-----------------------------------|--------------|
| COD. COG COG REF. | C4373 | Marca/Modello - Make/Model | |
|  | | GOLDONI - TRANSCAR | |
| | | CODICE OE / OE REFERENCE | |
| | | 42668 | |
| | | Dim. Massa / Core Dim. | 370*390*57 |
| | | Collettori / Header Plates | 397*96 |
| | | Sistema / System | Copper/Brass |

| | | | |
|------------------------------------|--------------|-----------------------------------|--------------|
| COD. COG COG REF. | C4374 | Marca/Modello - Make/Model | |
| | | GOLDONI - VIGNERON 5 ROWS | |
| | | CODICE OE / OE REFERENCE | |
| | | 43333 | |
| | | Dim. Massa / Core Dim. | 399*410*97 |
| | | Collettori / Header Plates | 416*116 |
| | | Sistema / System | Copper/Brass |

| | | | |
|------------------------------------|--------------|-----------------------------------|--------------|
| COD. COG COG REF. | C4375 | Marca/Modello - Make/Model | |
| | | GOLDONI - 5 ROWS | |
| | | CODICE OE / OE REFERENCE | |
| | | 43644 | |
| | | Dim. Massa / Core Dim. | 377*410*97 |
| | | Collettori / Header Plates | 416*116 |
| | | Sistema / System | Copper/Brass |

| | | | |
|------------------------------------|--------------|-----------------------------------|--------------|
| COD. COG COG REF. | C4376 | Marca/Modello - Make/Model | |
| | | GOLDONI - 5 ROWS | |
| | | CODICE OE / OE REFERENCE | |
| | | 44944 | |
| | | Dim. Massa / Core Dim. | 399*410*97 |
| | | Collettori / Header Plates | 416*116 |
| | | Sistema / System | Copper/Brass |

| | | | |
|------------------------------------|--------------|-----------------------------------|--------------|
| COD. COG COG REF. | C4377 | Marca/Modello - Make/Model | |
| | | GOLDONI - VM D704 LT | |
| | | CODICE OE / OE REFERENCE | |
| | | 41012 | |
| | | Dim. Massa / Core Dim. | 365*430*91 |
| | | Collettori / Header Plates | 437*113 |
| | | Sistema / System | Copper/Brass |

| | | | |
|------------------------------------|--------------|-----------------------------------|--------------|
| COD. COG COG REF. | C4378 | Marca/Modello - Make/Model | |
| | | GOLDONI - L.D. 3029 | |
| | | CODICE OE / OE REFERENCE | |
| | | 41013 | |
| | | Dim. Massa / Core Dim. | 365*430*91 |
| | | Collettori / Header Plates | 437*113 |
| | | Sistema / System | Copper/Brass |

| | | | |
|------------------------------------|--------------|-----------------------------------|--------------|
| COD. COG COG REF. | C4379 | Marca/Modello - Make/Model | |
| | | GOLDONI - WATERCOOLER | |
| | | CODICE OE / OE REFERENCE | |
| | | 40540 | |
| | | Dim. Massa / Core Dim. | 370*390*73 |
| | | Collettori / Header Plates | 397*96 |
| | | Sistema / System | Copper/Brass |

| | | | |
|------------------------------------|--------------|-----------------------------------|------------|
| COD. COG COG REF. | C4380 | Marca/Modello - Make/Model | |
| | | GOLDONI - ASTER | |
| | | CODICE OE / OE REFERENCE | |
| | | 41582 | |
| | | Dim. Massa / Core Dim. | 353*377*52 |
| Collettori / Header Plates | 397*96 | | |
| Sistema / System | Copper/Brass | | |

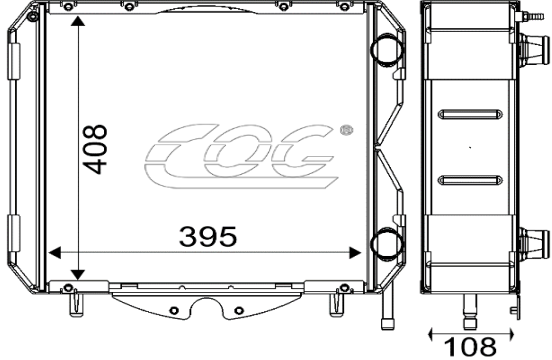
| | | | |
|------------------------------------|--------------|-----------------------------------|------------|
| COD. COG COG REF. | C4381 | Marca/Modello - Make/Model | |
| | | GOLDONI - J.D. 4045 | |
| | | CODICE OE / OE REFERENCE | |
| | | 42835 | |
| | | Dim. Massa / Core Dim. | 435*435*77 |
| Collettori / Header Plates | 437*113 | | |
| Sistema / System | Copper/Brass | | |

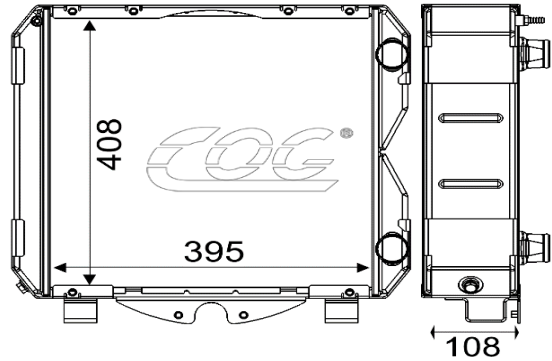
| | | | |
|------------------------------------|--------------|-----------------------------------|------------|
| COD. COG COG REF. | C4382 | Marca/Modello - Make/Model | |
| | | GOLDONI - MOT. VM | |
| | | CODICE OE / OE REFERENCE | |
| | | 25540 | |
| | | Dim. Massa / Core Dim. | 365*430*73 |
| Collettori / Header Plates | 437*113 | | |
| Sistema / System | Copper/Brass | | |

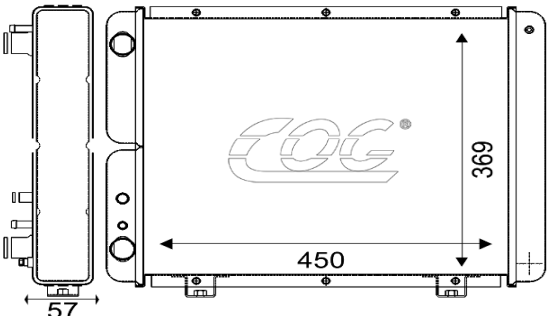
| | | | |
|------------------------------------|--------------|-----------------------------------|--------------|
| COD. COG COG REF. | C4384 | Marca/Modello - Make/Model | |
| | | GOLDONI - 5 ROWS | |
| | | CODICE OE / OE REFERENCE | |
| | | 46617 | |
| | | Dim. Massa / Core Dim. | 377*410*97 |
| | | Collettori / Header Plates | 416*116 |
| | | Sistema / System | Copper/Brass |

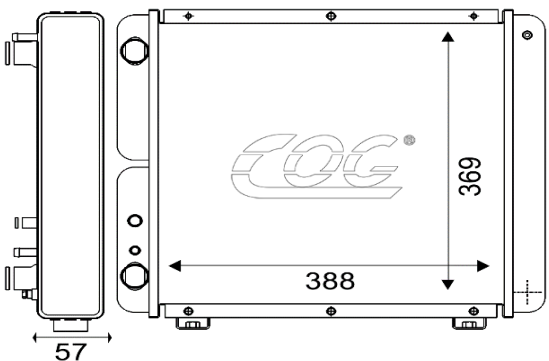
| | | | |
|------------------------------------|--------------|-----------------------------------|--------------|
| COD. COG COG REF. | C4385 | Marca/Modello - Make/Model | |
| | | GOLDONI - 5 ROWS | |
| | | CODICE OE / OE REFERENCE | |
| | | 46044 | |
| | | Dim. Massa / Core Dim. | 435*435*97 |
| | | Collettori / Header Plates | 437*113 |
| | | Sistema / System | Copper/Brass |

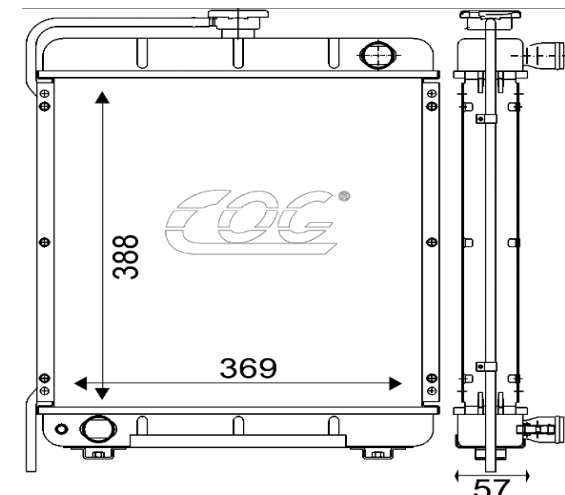
| | | | |
|------------------------------------|--------------|-----------------------------------|-------------|
| COD. COG COG REF. | C4386 | Marca/Modello - Make/Model | |
| | | GOLDONI - VIGNERON | |
| | | CODICE OE / OE REFERENCE | |
| | | 62443 | |
| | | Dim. Massa / Core Dim. | 395*408*108 |
| | | Collettori / Header Plates | 415*116 |
| | | Sistema / System | T&F |

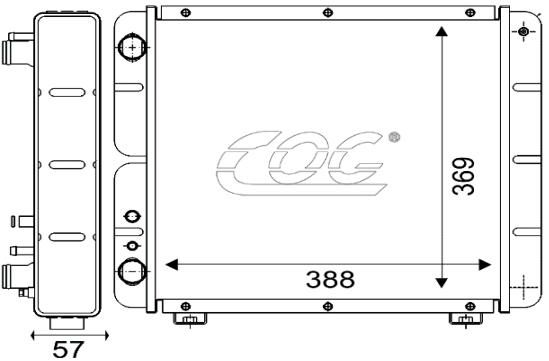
| | | | |
|---|--------------|-----------------------------------|-------------|
| COD. COG COG REF. | C4387 | Marca/Modello - Make/Model | |
|  | | GOLDONI - WATER COOLER | |
| | | CODICE OE / OE REFERENCE | |
| | | 62556 | |
| | | Dim. Massa / Core Dim. | 395*408*108 |
| | | Collettori / Header Plates | |
| | | Sistema / System | T&F |

| | | | |
|--|--------------|-----------------------------------|-------------|
| COD. COG COG REF. | C4388 | Marca/Modello - Make/Model | |
|  | | GOLDONI - 4 ROWS | |
| | | CODICE OE / OE REFERENCE | |
| | | 62767 | |
| | | Dim. Massa / Core Dim. | 395*408*108 |
| | | Collettori / Header Plates | |
| | | Sistema / System | T&F |

| | | | |
|---|--------------|------------------------------------|--------------|
| COD. COG COG REF. | C4389 | Marca/Modello - Make/Model | |
|  | | LOMBARDINI - WATER RADIATOR | |
| | | CODICE OE / OE REFERENCE | |
| | | 73503610 | |
| | | Dim. Massa / Core Dim. | 450*369*57 |
| | | Collettori / Header Plates | |
| | | Sistema / System | Copper/Brass |

| | | | |
|---|--------------|-----------------------------------|--------------|
| COD. COG COG REF. | C4390 | Marca/Modello - Make/Model | |
|  | | LOMBARDINI -WATER RADIATOR | |
| | | CODICE OE / OE REFERENCE | |
| | | 73503600 | |
| | | Dim. Massa / Core Dim. | 388*369*57 |
| | | Collettori / Header Plates | |
| | | Sistema / System | Copper/Brass |

| | | | |
|--|--------------|-----------------------------------|--------------|
| COD. COG COG REF. | C4391 | Marca/Modello - Make/Model | |
|  | | LOMBARDINI -WATER RADIATOR | |
| | | CODICE OE / OE REFERENCE | |
| | | 73502610 | |
| | | Dim. Massa / Core Dim. | 388*369*57 |
| | | Collettori / Header Plates | 400*46 |
| | | Sistema / System | Copper/Brass |

| | | | |
|---|--------------|-----------------------------------|--------------|
| COD. COG COG REF. | C4392 | Marca/Modello - Make/Model | |
|  | | LOMBARDINI -WATER RADIATOR | |
| | | CODICE OE / OE REFERENCE | |
| | | 73500930 | |
| | | Dim. Massa / Core Dim. | 388*369*57 |
| | | Collettori / Header Plates | |
| | | Sistema / System | Copper/Brass |

| | | | |
|------------------------------------|--------------|-----------------------------------|--------------|
| COD. COG COG REF. | C4393 | Marca/Modello - Make/Model | |
| | | LOMBARDINI -WATER RADIATOR | |
| | | CODICE OE / OE REFERENCE | |
| | | 73502980 | |
| | | Dim. Massa / Core Dim. | 472*439*77 |
| | | Collettori / Header Plates | 459*60 |
| | | Sistema / System | Copper/Brass |

| | | | |
|------------------------------------|--------------|-----------------------------------|--------------|
| COD. COG COG REF. | C4394 | Marca/Modello - Make/Model | |
| | | LOMBARDINI -WATER RADIATOR | |
| | | CODICE OE / OE REFERENCE | |
| | | 73503560 | |
| | | Dim. Massa / Core Dim. | 372*439*77 |
| | | Collettori / Header Plates | 471*60 |
| | | Sistema / System | Copper/Brass |

| | | | |
|------------------------------------|--------------|-----------------------------------|--------------|
| COD. COG COG REF. | C4395 | Marca/Modello - Make/Model | |
| | | LOMBARDINI -WATER RADIATOR | |
| | | CODICE OE / OE REFERENCE | |
| | | 73503570 | |
| | | Dim. Massa / Core Dim. | 372*449*57 |
| | | Collettori / Header Plates | 480*55 |
| | | Sistema / System | Copper/Brass |

| | | | |
|------------------------------------|--------------|------------------------------------|--------------|
| COD. COG COG REF. | C4396 | Marca/Modello - Make/Model | |
| | | LOMBARDINI - WATER RADIATOR | |
| | | CODICE OE / OE REFERENCE | |
| | | 73503670 | |
| | | Dim. Massa / Core Dim. | 372*449*57 |
| | | Collettori / Header Plates | 480*55 |
| | | Sistema / System | Copper/Brass |

| | | | |
|------------------------------------|--------------|-----------------------------------|--------------|
| COD. COG COG REF. | C4397 | Marca/Modello - Make/Model | |
| | | LANDINI -- MISTRAL | |
| | | CODICE OE / OE REFERENCE | |
| | | 3688470M92 | |
| | | Dim. Massa / Core Dim. | 370*345*700 |
| | | Collettori / Header Plates | |
| | | Sistema / System | Copper/Brass |

| | | | |
|------------------------------------|--------------|------------------------------------|--------------|
| COD. COG COG REF. | C4399 | Marca/Modello - Make/Model | |
| | | LOMBARDINI - WATER RADIATOR | |
| | | CODICE OE / OE REFERENCE | |
| | | 73503640 | |
| | | Dim. Massa / Core Dim. | 388*369*57 |
| | | Collettori / Header Plates | 400*46 |
| | | Sistema / System | Copper/Brass |

| | | | |
|------------------------------------|--------------|-----------------------------------|--------------|
| COD. COG COG REF. | C4400 | Marca/Modello - Make/Model | |
| | | LANDINI - ALPINE | |
| | | CODICE OE / OE REFERENCE | |
| | | 3674749M93 | |
| | | Dim. Massa / Core Dim. | 483*430*91 |
| | | Collettori / Header Plates | 441*64 |
| | | Sistema / System | Copper/Brass |

| | | | |
|------------------------------------|--------------|-----------------------------------|--------------|
| COD. COG COG REF. | C4401 | Marca/Modello - Make/Model | |
| | | LANDINI - TRACTOR RADIATOR | |
| | | CODICE OE / OE REFERENCE | |
| | | 4205128M92 | |
| | | Dim. Massa / Core Dim. | 438*410*91 |
| | | Collettori / Header Plates | 421*64 |
| | | Sistema / System | Copper/Brass |

| | | | |
|------------------------------------|--------------|-----------------------------------|--------------|
| COD. COG COG REF. | C4403 | Marca/Modello - Make/Model | |
| | | LANDINI - TRACTOR RADIATOR | |
| | | CODICE OE / OE REFERENCE | |
| | | 3674548M91 | |
| | | Dim. Massa / Core Dim. | 360*420*73 |
| | | Collettori / Header Plates | |
| | | Sistema / System | Copper/Brass |

| | | | |
|------------------------------------|--------------|-----------------------------------|--------------|
| COD. COG COG REF. | C4404 | Marca/Modello - Make/Model | |
| | | LANDINI - LEGEND | |
| | | CODICE OE / OE REFERENCE | |
| | | 3679155M92 | |
| | | Dim. Massa / Core Dim. | 620*570*109 |
| | | Collettori / Header Plates | |
| | | Sistema / System | Copper/Brass |

| | | | |
|------------------------------------|--------------|-----------------------------------|--------------|
| COD. COG COG REF. | C4405 | Marca/Modello - Make/Model | |
| | | LANDINI - TRACTOR RADIATOR | |
| | | CODICE OE / OE REFERENCE | |
| | | 3663944M93 | |
| | | Dim. Massa / Core Dim. | 620*570*109 |
| | | Collettori / Header Plates | |
| | | Sistema / System | Copper/Brass |

| | | | |
|------------------------------------|--------------|-----------------------------------|--------------|
| COD. COG COG REF. | C4406 | Marca/Modello - Make/Model | |
| | | LANDINI - LEGEND | |
| | | CODICE OE / OE REFERENCE | |
| | | 3679167M92 | |
| | | Dim. Massa / Core Dim. | 620*570*91 |
| | | Collettori / Header Plates | |
| | | Sistema / System | Copper/Brass |

| | | | |
|------------------------------------|--------------|-----------------------------------|--------------|
| COD. COG COG REF. | C4407 | Marca/Modello - Make/Model | |
| | | LANDINI - BLIZZAR | |
| | | CODICE OE / OE REFERENCE | |
| | | 3304168M92 | |
| | | Dim. Massa / Core Dim. | 580*540*73 |
| | | Collettori / Header Plates | 561*90 |
| | | Sistema / System | Copper/Brass |

| | | | |
|------------------------------------|--------------|-----------------------------------|--------------|
| COD. COG COG REF. | C4408 | Marca/Modello - Make/Model | |
| | | LANDINI - TRACTOR RADIATOR | |
| | | CODICE OE / OE REFERENCE | |
| | | 3304174M92 | |
| | | Dim. Massa / Core Dim. | 540*587*73 |
| | | Collettori / Header Plates | 561*90 |
| | | Sistema / System | Copper/Brass |

| | | | |
|------------------------------------|--------------|-----------------------------------|--------------|
| COD. COG COG REF. | C4409 | Marca/Modello - Make/Model | |
| | | LANDINI - RS12 MISTRAL | |
| | | CODICE OE / OE REFERENCE | |
| | | 4214732M91 | |
| | | Dim. Massa / Core Dim. | 328*373*77 |
| | | Collettori / Header Plates | |
| | | Sistema / System | Copper/Brass |

| | | | |
|------------------------------------|--------------|-----------------------------------|--------------|
| COD. COG COG REF. | C4410 | Marca/Modello - Make/Model | |
| | | LANDINI - TRACTOR RADIATOR | |
| | | CODICE OE / OE REFERENCE | |
| | | 3694649M92 | |
| | | Dim. Massa / Core Dim. | 637*528*97 |
| | | Collettori / Header Plates | |
| | | Sistema / System | Copper/Brass |

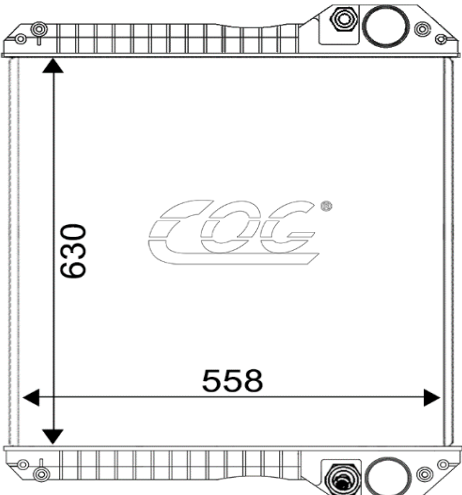
| | | | |
|------------------------------------|--------------|-----------------------------------|--------------|
| COD. COG COG REF. | C4411 | Marca/Modello - Make/Model | |
| | | LANDINI - TRACTOR RADIATOR | |
| | | CODICE OE / OE REFERENCE | |
| | | 3694649M92 | |
| | | Dim. Massa / Core Dim. | 550*540*73 |
| | | Collettori / Header Plates | 561*90 |
| | | Sistema / System | Copper/Brass |

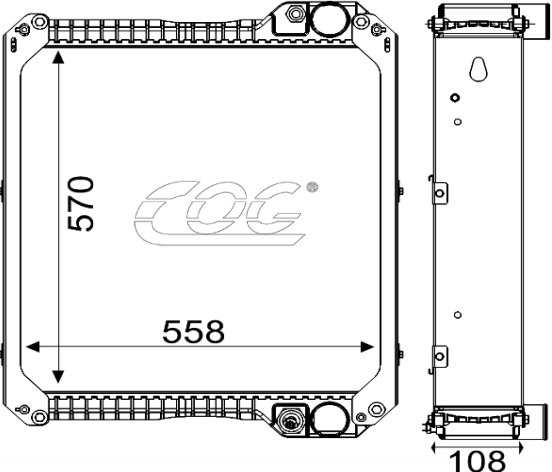
| | | | |
|------------------------------------|--------------|-----------------------------------|--------------|
| COD. COG COG REF. | C4412 | Marca/Modello - Make/Model | |
| | | LANDINI - TRACTOR RADIATOR | |
| | | CODICE OE / OE REFERENCE | |
| | | 3650779M91 | |
| | | Dim. Massa / Core Dim. | 550*540*91 |
| | | Collettori / Header Plates | 561*90 |
| | | Sistema / System | Copper/Brass |

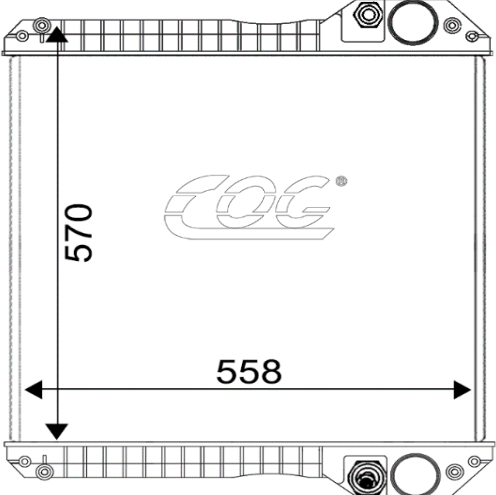
| | | | |
|------------------------------------|--------------|---|-------------------|
| COD. COG COG REF. | C4416 | Marca/Modello - Make/Model | |
| | | LANDINI - ARGO TRACTOR WATERCOOLER DENSO MODEL | |
| | | CODICE OE / OE REFERENCE | |
| | | 432979A1 - 432979A2 - MNY20269801A1M | |
| | | Dim. Massa / Core Dim. | 570*558*108 |
| | | Collettori / Header Plates | 574*125 |
| | | Sistema / System | Aluminium/Plastic |

| | | | |
|------------------------------------|---------------|---|-------------------|
| COD. COG COG REF. | C4416N | Marca/Modello - Make/Model | |
| | | LANDINI - ARGO TRACTOR WATERCOOLER DENSO MODEL | |
| | | CODICE OE / OE REFERENCE | |
| | | 432979A1 - 432979A2 - MNY20269801A1M | |
| | | Dim. Massa / Core Dim. | 570*558*108 |
| | | Collettori / Header Plates | 574*125 |
| | | Sistema / System | Aluminium/Plastic |

| | | | |
|------------------------------------|--------------|---|-------------------|
| COD. COG COG REF. | C4417 | Marca/Modello - Make/Model | |
| | | LANDINI - ARGO TRACTOR DENSO MODEL | |
| | | CODICE OE / OE REFERENCE | |
| | | 715573A1 - MN422133 99 | |
| | | Dim. Massa / Core Dim. | 630*558*108 |
| | | Collettori / Header Plates | 573*124 |
| | | Sistema / System | Aluminium/Plastic |

| | | | |
|---|---------------|------------------------------------|-------------------|
| COD. COG COG REF. | C4417N | Marca/Modello - Make/Model | |
|  | | LANDINI - ARGO TRACTOR DENSO MODEL | |
| | | CODICE OE / OE REFERENCE | |
| | | 715573A1 - MN422133 99 | |
| | | Dim. Massa / Core Dim. | 630*558*108 |
| | | Collettori / Header Plates | 573*124 |
| | | Sistema / System | Aluminium/Plastic |

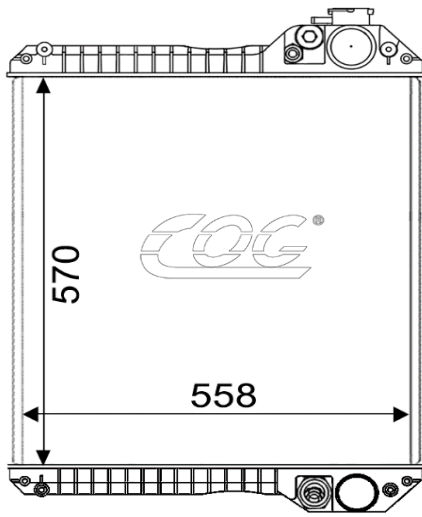
| | | | |
|--|--------------|---------------------------------------|-------------------|
| COD. COG COG REF. | C4418 | Marca/Modello - Make/Model | |
|  | | LANDINI - ARGO TRACTOR DENSO MODE | |
| | | CODICE OE / OE REFERENCE | |
| | | 711157A3 - MN422133-49521M - 711157A3 | |
| | | Dim. Massa / Core Dim. | 570*558*108 |
| | | Collettori / Header Plates | 573*124 |
| | | Sistema / System | Aluminium/Plastic |

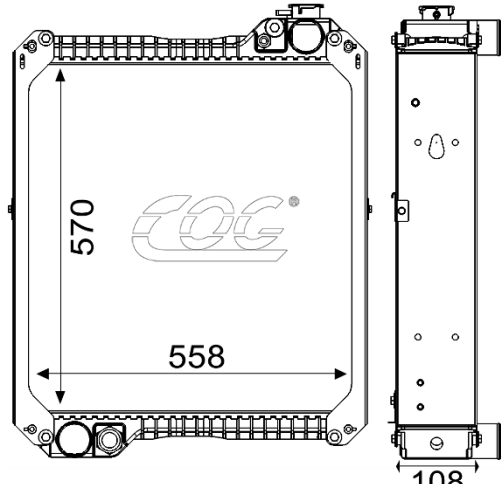
| | | | |
|---|---------------|---------------------------------------|-------------------|
| COD. COG COG REF. | C4418N | Marca/Modello - Make/Model | |
|  | | LANDINI - ARGO TRACTOR DENSO MODE | |
| | | CODICE OE / OE REFERENCE | |
| | | 711157A3 - MN422133-49521M - 711157A3 | |
| | | Dim. Massa / Core Dim. | 570*558*108 |
| | | Collettori / Header Plates | 573*124 |
| | | Sistema / System | Aluminium/Plastic |

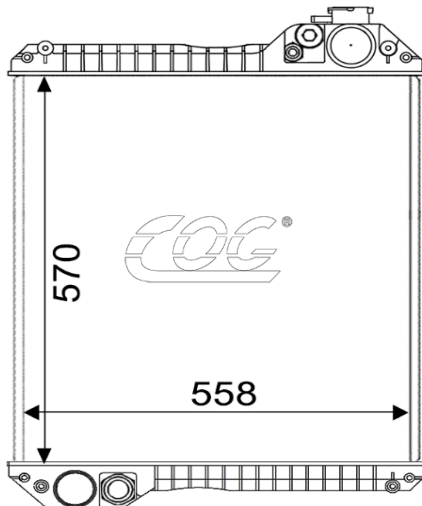
| | | | |
|------------------------------------|--------------|-----------------------------------|-------------------|
| COD. COG COG REF. | C4419 | Marca/Modello - Make/Model | |
| | | LANDINI - ARGO TRACTOR DENSO MODE | |
| | | CODICE OE / OE REFERENCE | |
| | | 303495A4 - 303495A5 - 70250201G | |
| | | Dim. Massa / Core Dim. | 490*438*108 |
| | | Collettori / Header Plates | 460*125 |
| | | Sistema / System | Aluminium/Plastic |

| | | | |
|------------------------------------|---------------|-----------------------------------|-------------------|
| COD. COG COG REF. | C4419N | Marca/Modello - Make/Model | |
| | | LANDINI - ARGO TRACTOR DENSO MODE | |
| | | CODICE OE / OE REFERENCE | |
| | | 303495A4 - 303495A5 - 70250201G | |
| | | Dim. Massa / Core Dim. | 490*438*108 |
| | | Collettori / Header Plates | 460*125 |
| | | Sistema / System | Aluminium/Plastic |

| | | | |
|------------------------------------|--------------|--------------------------------------|-------------------|
| COD. COG COG REF. | C4421 | Marca/Modello - Make/Model | |
| | | LANDINI - ARGO TRACTOR DENSO MODEL | |
| | | CODICE OE / OE REFERENCE | |
| | | 135691A3 - 135691A4 - MNY70121101E1M | |
| | | Dim. Massa / Core Dim. | 570*558*108 |
| | | Collettori / Header Plates | 574*125 |
| | | Sistema / System | Aluminium/Plastic |

| | | | |
|---|---------------|--------------------------------------|-------------------|
| COD. COG COG REF. | C4421N | Marca/Modello - Make/Model | |
|  | | LANDINI - ARGO TRACTOR DENSO MODEL | |
| | | CODICE OE / OE REFERENCE | |
| | | 135691A3 - 135691A4 - MNY70121101E1M | |
| | | Dim. Massa / Core Dim. | 570*558*108 |
| | | Collettori / Header Plates | 574*125 |
| | | Sistema / System | Aluminium/Plastic |

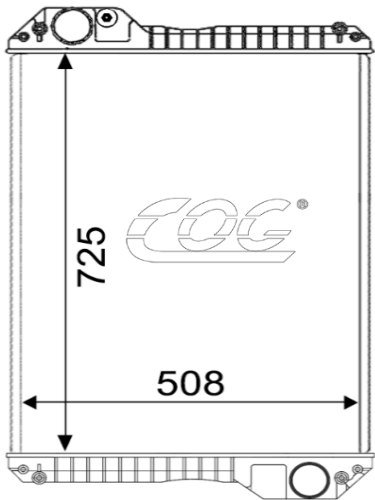
| | | | |
|--|--------------|--------------------------------------|-------------------|
| COD. COG COG REF. | C4424 | Marca/Modello - Make/Model | |
|  | | LANDINI - ARGO TRACTOR DENSO MODEL | |
| | | CODICE OE / OE REFERENCE | |
| | | 432981A1 - 432981A2 - MNY70274101A1M | |
| | | Dim. Massa / Core Dim. | 570*558*108 |
| | | Collettori / Header Plates | 574*125 |
| | | Sistema / System | Aluminium/Plastic |

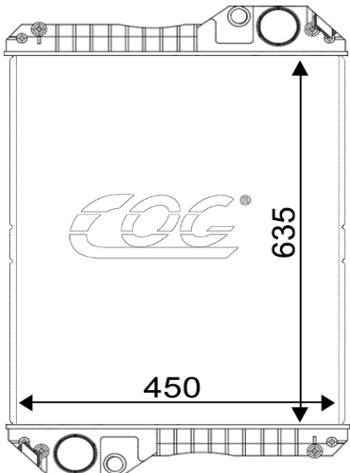
| | | | |
|---|---------------|--------------------------------------|-------------------|
| COD. COG COG REF. | C4424N | Marca/Modello - Make/Model | |
|  | | LANDINI - ARGO TRACTOR DENSO MODEL | |
| | | CODICE OE / OE REFERENCE | |
| | | 432981A1 - 432981A2 - MNY70274101A1M | |
| | | Dim. Massa / Core Dim. | 570*558*108 |
| | | Collettori / Header Plates | 574*125 |
| | | Sistema / System | Aluminium/Plastic |

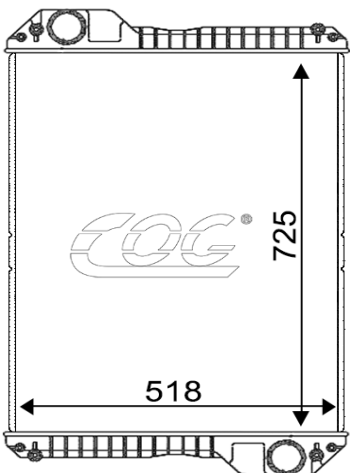
| | | | |
|------------------------------------|--------------|---|-------------------|
| COD. COG COG REF. | C4425 | Marca/Modello - Make/Model | |
| | | LANDINI - ARGO TRACTOR DENSO MODEL | |
| | | CODICE OE / OE REFERENCE | |
| | | 452277A1 - 452277A2 - 452277A3 - 452277A4 - 452277A5 - 452277A6 - MN422132-972 | |
| | | Dim. Massa / Core Dim. | 595*508*108 |
| | | Collettori / Header Plates | 530*125 |
| | | Sistema / System | Aluminium/Plastic |

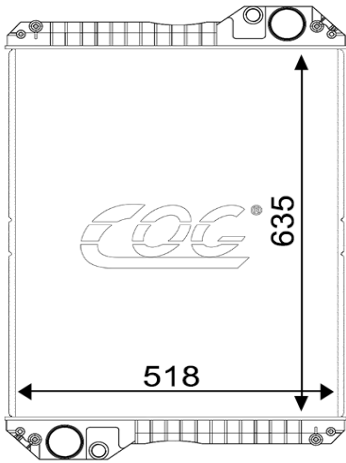
| | | | |
|------------------------------------|---------------|---|-------------------|
| COD. COG COG REF. | C4425N | Marca/Modello - Make/Model | |
| | | LANDINI - ARGO TRACTOR DENSO MODEL | |
| | | CODICE OE / OE REFERENCE | |
| | | 452277A1 - 452277A2 - 452277A3 - 452277A4 - 452277A5 - 452277A6 - MN422132-972 | |
| | | Dim. Massa / Core Dim. | 595*508*108 |
| | | Collettori / Header Plates | 530*125 |
| | | Sistema / System | Aluminium/Plastic |

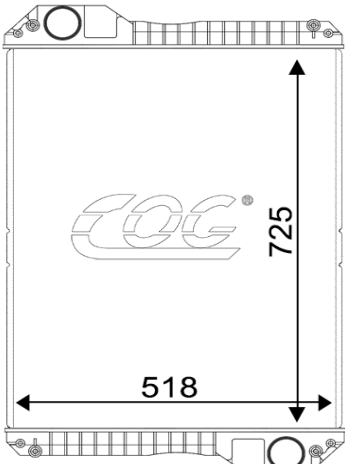
| | | | |
|------------------------------------|--------------|-------------------------------------|-------------------|
| COD. COG COG REF. | C4429 | Marca/Modello - Make/Model | |
| | | LANDINI - ARGO TRACTOR DENSO MODEL | |
| | | CODICE OE / OE REFERENCE | |
| | | 713027A2 - 713027A3 - MN422133-1044 | |
| | | Dim. Massa / Core Dim. | 725*508*108 |
| | | Collettori / Header Plates | 530*125 |
| | | Sistema / System | Aluminium/Plastic |

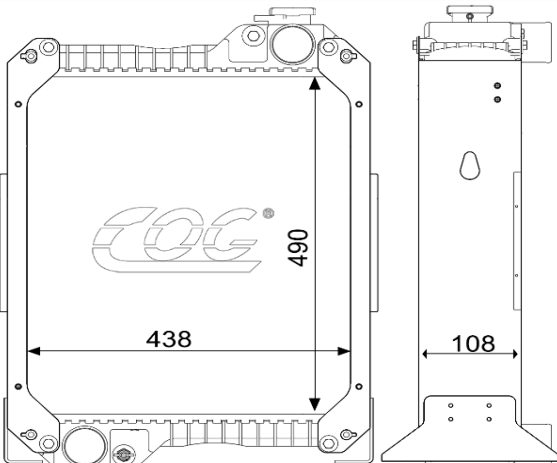
| | | | |
|---|---------------|-------------------------------------|-------------------|
| COD. COG COG REF. | C4429N | Marca/Modello - Make/Model | |
|  | | LANDINI - ARGO TRACTOR DENSO MODEL | |
| | | CODICE OE / OE REFERENCE | |
| | | 713027A2 - 713027A3 - MN422133-1044 | |
| | | Dim. Massa / Core Dim. | 725*508*108 |
| | | Collettori / Header Plates | 530*125 |
| | | Sistema / System | Aluminium/Plastic |

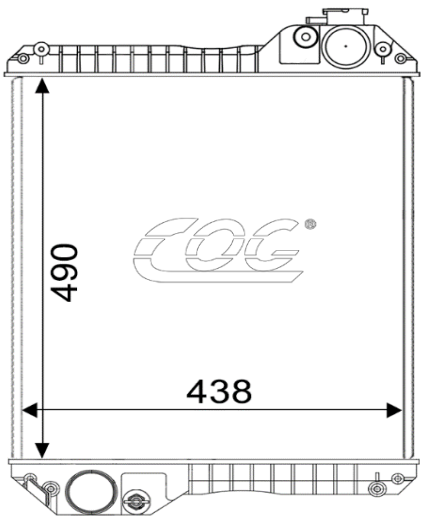
| | | | |
|--|---------------|--|-------------------|
| COD. COG COG REF. | C4430N | Marca/Modello - Make/Model | |
|  | | CATERPILLAR - BACKHOE LOADER 416E, 422E, 428E, 430E, 432E, 434E, 444E JCB - FASTRACK | |
| | | CODICE OE / OE REFERENCE | |
| | | 3047851 | |
| | | Dim. Massa / Core Dim. | 635*450*108 |
| | | Collettori / Header Plates | 460*125 |
| | | Sistema / System | Aluminium/Plastic |

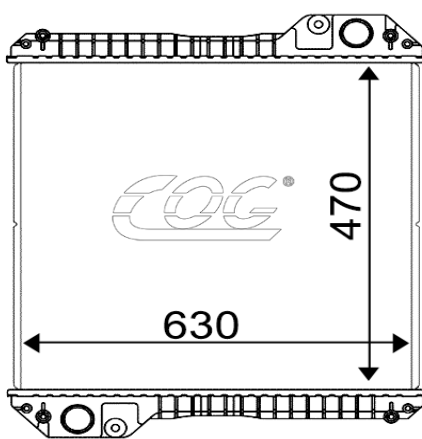
| | | | |
|---|---------------|--|-------------------|
| COD. COG COG REF. | C4431N | Marca/Modello - Make/Model | |
|  | | CASE IH - 414, 416, 426, 436, MX180, MX200, MX220, MX240, MX270 | |
| | | CODICE OE / OE REFERENCE | |
| | | 256325A1 - CTA80796 - CTA8079 - 211095 | |
| | | Dim. Massa / Core Dim. | 725*518*108 |
| | | Collettori / Header Plates | 530*125 |
| | | Sistema / System | Aluminium/Plastic |

| | | | |
|---|---------------|---|-------------------|
| COD. COG COG REF. | C4432N | Marca/Modello - Make/Model | |
|  | | CASE IH/STEYR - TRACTOR CVX, CVT120, CVT130, CVT150, CVT170 | |
| | | CODICE OE / OE REFERENCE | |
| | | 20263501C - MN4221341132 - 47107872 - 162000530101 - 47107890 | |
| | | Dim. Massa / Core Dim. | 635*518*108 |
| | | Collettori / Header Plates | 530*125 |
| | | Sistema / System | Aluminium/Plastic |

| | | | |
|--|---------------|--|-------------------|
| COD. COG COG REF. | C4433N | Marca/Modello - Make/Model | |
|  | | CASE IH/MCCORMICK - MAGNUM MX220, 230, 240, 270 NEW HOLLAND - TG255 | |
| | | CODICE OE / OE REFERENCE | |
| | | 256326A1 - 251501A3C - IH256326 | |
| | | Dim. Massa / Core Dim. | 725*518*108 |
| | | Collettori / Header Plates | 530*125 |
| | | Sistema / System | Aluminium/Plastic |

| | | | |
|---|--------------|-----------------------------------|-------------------|
| COD. COG COG REF. | C4434 | Marca/Modello - Make/Model | |
|  | | LANDINI - ARGO TRACTOR | |
| | | CODICE OE / OE REFERENCE | |
| | | 3696115M92 - 6713284A1 | |
| | | Dim. Massa / Core Dim. | 490*438*108 |
| | | Collettori / Header Plates | 460*125 |
| | | Sistema / System | Aluminium/Plastic |

| | | | |
|---|---------------|-----------------------------------|-------------------|
| COD. COG COG REF. | C4434N | Marca/Modello - Make/Model | |
|  | | LANDINI - ARGO TRACTOR | |
| | | CODICE OE / OE REFERENCE | |
| | | 3696115M92 – 6713284A1 | |
| | | Dim. Massa / Core Dim. | 490*438*108 |
| | | Collettori / Header Plates | 460*125 |
| | | Sistema / System | Aluminium/Plastic |

| | | | |
|--|---------------|---|---------------|
| COD. COG COG REF. | C4437N | Marca/Modello - Make/Model | |
|  | | JCB - BACKHOE LOADER 2CX/3CX/4CX CASE IH | |
| | | CODICE OE / OE REFERENCE | |
| | | 30/926051 | |
| | | Dim. Massa / Core Dim. | 470*630*108 |
| | | Collettori / Header Plates | 640*125 |
| | | Sistema / System | DENSO MARSTON |

| | | | |
|------------------------------------|--|-----------------------------------|--|
| COD. COG COG REF. | | Marca/Modello - Make/Model | |
| | | | |
| | | CODICE OE / OE REFERENCE | |
| | | | |
| | | Dim. Massa / Core Dim. | |
| | | Collettori / Header Plates | |
| | | Sistema / System | |

CONDIZIONI DI VENDITA E GARANZIA

SALE CONDITIONS

APPLICABILITÀ - APPLICABILITY

Le presenti Condizioni di vendita regolano tutti i rapporti fra la COG srl e la propria clientela, e si intendono integralmente accettate all'atto del conferimento d'ogni ordinazione da parte dei Clienti. Qualsiasi pattuizione difforme avrà efficacia solo se esplicitamente proposta od accettata dalla Società.
These Conditions of Sale govern every relation between COG srl and its customers, and are deemed to be fully accepted at moment of transfer of any order by the Customer. Any other agreement shall be effective only if explicitly proposed or accepted by the Company.

OFFERTE E PREZZI - OFFERS AND PRICES

I listini prezzi della Società sono soggetti a modifica senza preavviso. Le offerte della COG srl si intendono valide sino alla scadenza ivi indicata.
The pricelists of the Company are subject to change without prior notice. COG srl offers are deemed to be valid until the indicated expiry date.

IMBALLO, TRASPORTO E RISCHI - PACKING, TRANSPORT AND RISKS

I prezzi valgono per merce resa franco magazzino della COG srl ed ogni responsabilità della stessa cessa all'atto dell'uscita della merce dai ns. magazzini. Imballo e trasporto vengono addebitati al costo e, in mancanza d'apposite istruzioni del Cliente, la Società provvede all'inoltro a destinazione con il mezzo che essa ritiene più idoneo. Durante il trasporto la responsabilità d'eventuali danni è da attribuire all'autotrasportatore. Si chiede pertanto ai Sigg. Clienti di controllare attentamente gli imballaggi al momento del ritiro. Ricordiamo ai Sigg. Clienti che la contestazione del danno al momento del ritiro è la sola accettata dai corrieri. Tutti i corrieri sono assicurati, pertanto è possibile farsi risarcire. In nessun caso il cliente può emettere fatture di addebito nei confronti di COG srl se non preventivamente concordate e autorizzate dalla stessa.
Prices are intended for goods delivered ex our warehouse and all liability shall cease when the goods go out of our stores. Packing and transportation shall be charged at cost and, in the absence of specific instructions from the Customer, the Company shall deliver the goods at their destination with the means it considers most appropriate. During transportation the responsibility for any possible damage is due to the carriage. We therefore ask the Customers to carefully check the package. We remind our Customers that the dispute of the damage at the time of withdrawal is the only one accepted by the courier. All couriers are insured, so you can obtain compensation. Under no circumstances shall the client issue debit invoices charged to COG Srl unless previously arranged and permitted by the company itself.

TERMINI DI CONSEGNA - TERMS OF DELIVERY

La disponibilità della merce in stock si intende salvo il venduto. Eventuali ritardi non danno diritto ad alcun indennizzo a favore del cliente, fermi restando gli effetti sulla decorrenza dei termini di pagamento. La società si riserva di effettuare consegne parziali.
The availability of goods in stock is subject to sales. Any delay shall not entitle the Customer to receive any compensation. The company reserves the right to make partial deliveries.

PAGAMENTI - PAYMENTS

Il pagamento delle fatture deve essere effettuato alle scadenze ed alle condizioni indicate in fattura. Eventuali ritardi o insoluti ci autorizzano ad esigere il rimborso delle spese di insoluto e degli interessi bancari per i giorni di ritardo. In tutti i casi di inadempienza, resta altresì ferma la facoltà della COG srl di variare le condizioni di pagamento per nuove forniture o di sospenderle completamente.
Payment of invoices must be made within the due date and on the conditions specified in the invoice. Any delay or outstanding invoice authorizes us to require the reimbursement of debts and bank interests for the days of delay. In any case of default, COG srl has the power to vary the payment terms for new supplies or interrupt them completely.

DISEGNI, CAMPIONI E BREVETTI - DRAWINGS, SAMPLES AND PATENTS

I disegni, campioni, etc. sottoposti dalla COG srl al Cliente rimangono di esclusiva proprietà della COG srl, che può richiederne la restituzione in qualsiasi momento, e non possono essere riprodotti né mostrati o consegnati a terzi senza benestare scritto della Società. Per la fornitura di particolari su propri disegni o prescrizioni tecniche, il Cliente assume ogni responsabilità in ordine ad eventuali pretese di terzi per violazione di brevetti, modelli, disegni etc.
The drawings, samples, etc. submitted by COG srl to the Customer are the sole property of COG srl, that may request a return at any time, and they cannot be reproduced or shown or given to third parties without written approval of the Company. To provide details or technical requirements on their own drawings, the Customers assume all the responsibility for any claim by third parties for infringement of patents, designs, drawings, etc.

CARATTERISTICHE E DESCRIZIONI - FEATURES AND DESCRIPTIONS

Pur dedicando la massima cura alla compilazione dei propri cataloghi, listini ed altre pubblicazioni tecniche, la COG srl declina ogni responsabilità per eventuali inesattezze, errori od omissioni incorse involontariamente.
While devoting the utmost care to the compilation of catalogs, price lists and other technical publications, COG srl declines any responsibility for any inaccuracies, mistakes or omissions incurred involuntarily.

CONDIZIONI VENDITA MASSE SPECIALI - TERMS OF SALE FOR ON-DEMAND CORES

La realizzazione di prodotti su misura richiesti può avere una molteplicità di impieghi sconosciuti a COG. Il presente ordine è un semilavorato, ordinato sulla base delle sole dimensioni e indicazioni del cliente ordinante. Questo tipo di prodotto è un semilavorato one-off che per sua natura, tempi e costi non può essere testato da COG. In queste condizioni, la responsabilità di COG, per eventuali difetti del prodotto, è limitata, entro e non oltre, al valore del bene consegnato. Si escludono a priori rivalse di qualsiasi tipo e natura dell'utilizzatore finale e/o del cliente ordinante. Il cliente ordinante, pertanto, si assume gli eventuali rischi nei confronti dell'utilizzatore finale.
The production of on demand products can have a variety of uses unknown to COG. This article is a semi-finished product, ordered on the basis of the sole sizes and indications of the ordering Customer. This is a semi-finished one-off product that by its nature, times and costs cannot be tested by COG. Under these conditions, the responsibility of COG for any product defect is limited to the value of the goods delivered. Therefore, recourses of any kind done by the end user and / or ordering customer shall be excluded. The ordering customer, therefore, shall assume any risk towards the end user.

ANNULLAMENTO ORDINE ONLINE CONFERMATO - CANCELLATION OF A CONFIRMED ORDER

Una volta effettuato un ordine on line, e confermato dal cliente stesso, l'ordine viene inviato alla produzione dopo pochi minuti, pertanto chiediamo la massima attenzione e il massimo controllo prima della conferma d'ordine. Tuttavia, l'annullamento può essere fatto entro i 10 minuti dalla conferma d'ordine. Superati i 10 minuti il cliente può fare un tentativo di annullamento ordine ma tale annullamento potrebbe comportare l'addebito del prodotto nello stato di semilavorato in cui si trova.
A few minutes after the execution and confirmation of an online order by the Customer, it is sent to the production department. Hence, we would ask you to pay full attention and utmost care before confirming the order. However, the order cancellation can be requested within the first 10 minutes following its confirmation. After 10 minutes, the Customer can attempt to cancel the order but the cancellation could entail the charge of the article depending on its status of semifinished product.

RESTITUZIONE DELLA MERCE - RETURN OF GOODS

La COG srl non fornisce di norma alcuna merce in deposito, o comunque con facoltà di resa, ed ogni eventuale restituzione da parte dei Clienti rimane subordinata al benestare scritto della COG srl. La COG srl garantisce tutti i suoi prodotti, masse radianti e radiatori completi per 12 mesi da difetti di costruzione. La società non accetta resi in garanzia per materiale non presente sulle pubblicazioni commerciali. Resta inteso che la COG srl si riserva il diritto di giudicare la natura e le responsabilità a cui attribuire il difetto riscontrato. Non è garantibile inoltre ogni danno derivabile da uso di anticongelanti di bassa qualità, che possono intasare e corrodere le parti interne della massa radiante. Il sottoporre i nostri prodotti a pressioni superiori a quelle indicate nelle schede tecniche, anche per pochi minuti, fa decadere la garanzia. La COG srl non si ritiene responsabile di danni subiti ai suoi prodotti durante il trasporto.
Normally, COG srl does not provide any goods in storage, or with the right of withdrawal, and any restitution done by the Customer is subject to written approval of COG. COG srl guarantees all its products, radiators and cores 12 months against any manufacturing defects. The company does not accept the return of any material not found on its commercial publications. It is understood that COG srl reserves the right to judge the nature and responsibilities on the defect found. The products are not guaranteed against any other damage arising from the use of low quality anti-freeze fluids, which can corrode the internal parts of the core. Making the products undergo pressures higher than those indicated in the technical sheets, even for few minutes, invalidates the warranty. COG srl is not responsible for any damage to its products during transportation.

GARANZIE E RECLAMI - GUARANTEES AND COMPLAINTS

Il cliente è tenuto a verificare eventuali difetti, danneggiamenti o ammanchi della merce al momento della ricezione (previo controllo in contraddittorio con il vettore del numero dei colli e dei pesi sui documenti di spedizione e d'accompagnamento). Il cliente deve inoltrare, previa autorizzazione della COG srl eventuali richieste di reso (tramite apposita procedura on-line) entro 3 mesi dalla data di ricezione della merce. Tale merce deve essere poi restituita alla COG srl entro 12 mesi dalla data di ricezione della stessa. Per quanto riguarda danneggiamenti o manomissioni causati dal corriere, è necessaria l'autorizzazione da parte della COG srl per accettare la merce con riserva di controllo. Fermo restando quanto previsto in merito ai rischi di trasporto ed alle eventuali contestazioni di competenza del vettore, i reclami nei confronti della COG srl non conferiscono al Cliente alcun diritto di annullare gli ordini o di sospendere i pagamenti sino ad avvenuta definizione. In nessun caso il cliente può emettere fatture di addebito nei confronti di COG srl se non preventivamente concordate e autorizzate dalla stessa. Salvo quanto disposto dal DPR.224 del 24.5.88, ogni eventuale responsabilità della Società si esaurisce comunque (a scelta della Società stessa) con il reintegro o la riparazione gratuita o con l'accredito del prezzo della merce mancante o riconosciuta difettosa, escluso ogni risarcimento di eventuali ulteriori danni, o spese di qualsiasi natura, anche in caso di incidenti verificatosi per o durante l'uso dei prodotti forniti. Nelle segnalazioni per le quali viene autorizzato un intervento del cliente alla riparazione, lo stesso cliente, attraverso la gestione web-claim, deve fornire a COG le evidenze fotografiche/video delle attività di ripristino eseguite indicando, la tipologia di riparazione eseguita (interna/esterna) e il tempo impiegato. A seguito delle informazioni pervenute, COG valuterà l'attività di ripristino eseguita al fine di attribuire un riconoscimento economico. Il valore massimo attribuibile all'attività di ripristino non potrà superare il 20% del valore del prodotto. COG si riserva di effettuare valutazioni particolareggiate qualora ne ricorrano le condizioni. La garanzia della Società non può comunque estendersi agli inconvenienti imputabili ad incorretta installazione, ad improprio impiego ed al mancato collaudo per verifica del prodotto stesso.
The customer is required to verify any defect or damage, or any missing good, at the time of reception (after checking together with the courier the number of packages and weights on shipping documents). The customer shall submit any requests (via special form) within 3 months from the date of reception of goods, after the approval of COG srl. After that, the goods shall be returned to COG within 12 months from the date of reception. As regarding damage caused by courier, you need the approval by COG srl to withdraw the goods subject to inspection. Notwithstanding the provisions about the risks of transport and any claims of responsibility of the carrier, complaints against COG srl do not give the Customer any right to cancel orders or to suspend payments until any determination has taken place. Except as provided by Presidential Decree 224, 24.5.88, any liability of the Company ends (after a decision of the Company) with restoration or repair free of charge or with the credit of the price of the goods recognized as missing or defective, but any compensation for any further damage, or expense of any kind, even in case of accidents occurring during the use of the products supplied is excluded. In the reports for which a customer intervention is authorized, the customer himself shall provide photographic/video evidence of the recovery activities he carried out, specifying the type of intervention (internal/external) and the time it took, through the web-claim system. After receiving the information, COG shall evaluate the recovery activity to assign financial recognition. The maximum amount attributable to the recovery activity shall not exceed 20% of the product value. COG reserves the option to carry out detailed evaluations when the conditions are met. The guarantee of the Company is not extended to accidents due to incorrect installation, improper usage and missing verification test of the product itself.

FORO COMPETENTE - JURISDICTION

In caso di controversie l'unico foro competente è quello di Lecce.
In case of dispute, the place of jurisdiction is Lecce.



COG Srl

73100, LECCE

Zona Ind.le - Zona Verde

Viale Irlanda, 2/10

Tel.: +39 0832 24 09 91

Tel.: +39 0832 30 71 60

Fax: +39 0832 33 27 91

cog@cog.it

www.cog.it